



Over 90 Years Of Quality Foodservice  
Products And Service

Job \_\_\_\_\_ Item No. \_\_\_\_\_

## SS206ER Series & BMW206TR Series 12" X 20" Single Well, Heavy-Duty, Bottom Mount, Round Corner Rectangular Drop-In Food Warmers



SS206ERD

### DESCRIPTION

Wells SS206ER and BMW206RT series Built-In Rectangular Food Warmers are designed for bottom mount installation and to hold heated foods at safe and fresh serving temperatures. Wells SS206ER and BMW206RT Series accommodates one 12" X 20" standard food pan or equivalent fractional inset pans. The BMW series are fully insulated; sides and bottom for quicker pre-heat, faster recovery and energy savings. Both are designed for wet or dry operation.

### SPECIFICATIONS

**Construction** – One-piece stainless steel top flange and heavy-gauge, deep-drawn stainless steel warming pans are standard features on all models.

**Insulation** – BMW models are fully insulated around all 4-sides and bottom for quicker preheat, faster recovery and energy savings.

**Controls & Heating**- Individual controls for each well provide maximum versatility. Models with thermostatic or infinite controls are available. High-limits prevent overheating. Temperature-ready indicator lights are standard on all control types. Powerful tubular heating elements are located under the warming pans for quick and efficient heating and for even heat distribution.

#### Additional Features Available

- Drains
- Infinite or thermostatic controls

### STANDARD FEATURES

- All models accommodates one 12" X 20" standard inset pan or equivalent fractional pans
- One-piece stainless steel top flange and heavy-gauge, deep-drawn stainless steel warming pans
- Suitable for wet or dry operation (wet recommended for best results)
- Thermostatic or infinite controls
- Separate controls for each individual wells
- High limits prevent overheating
- Thermostatic controls are recessed in a one-piece, drawn, front-mounted panel
- Powerful tubular heating elements
- ½" drains available
- 2-Year Limited Parts & 1-Year Limited Labor Warranty
- All models feature round corners

### OPTIONS & ACCESSORIES

- 8oz. soup ladle
- Drain screens
- Drain value extension kit, extension from drain to counter front with remote handle, for use with "D" models only, 20385
- Adapter Top, to convert SS206 models to hold two 7-quart insets, 20176
- Adapter Top, to convert SS206 models to hold two 4-quart insets and two 2 1/2-quart insets, 20434
- Adapter Top, to convert SS206 models to hold one 7-quart and one 11-quart inset, 21621
- Adapter Top, to convert SS206 models to hold three 4-quart insets, 21615
- Adapter Top, to convert SS206 models to hold four 2-1/2-quart insets, 21624
- Adapter Top, to convert SS206 models to hold one 4-quart and one 7-quart inset, 21617
- Inset, 2 1/2-quart capacity with lid, 20773
- Inset, 4-quart capacity with lid, 20774
- Inset, 7-quart capacity with lid, 20587
- Inset, 11-quart capacity with lid, 20908

### CERTIFICATIONS



Sheet No. SS206ER-12/12



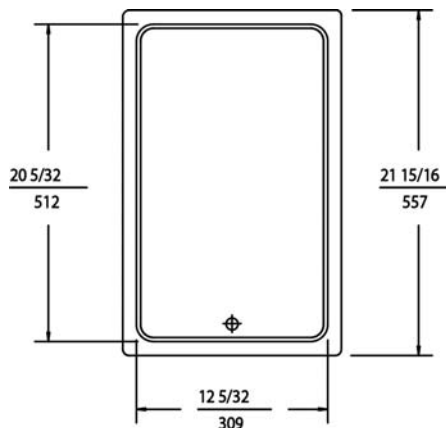
Wells Bloomfield • 10 Sunnen Dr. St. Louis, MO 63143 U.S.A.  
Phone : (314) 678-6314 • Fax (314) 781-5445  
www.wellsbloomfield.com © 2012 Wells Bloomfield • Printed in the U.S.A.

**NOTE: Specifications are subject to change without notice and are not intended for installation purposes. See installation instructions prior to installing the unit.**



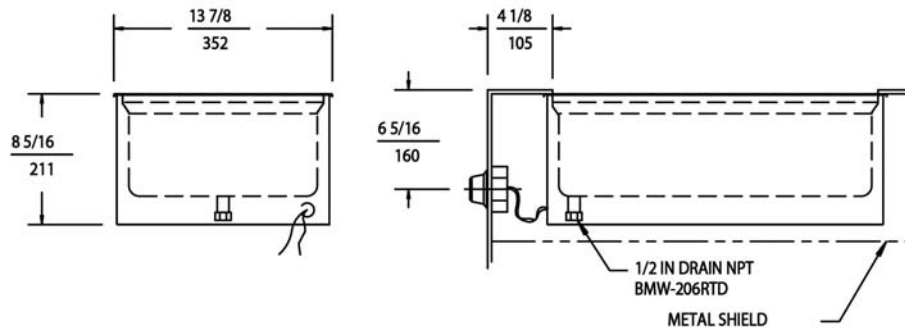
Over 90 Years Of Quality Foodservice Products And Service

# SS206ER Series & BMW206TR Series 12" X 20" Single Well, Heavy-Duty, Bottom Mount, Round Corner Rectangular Drop-In Food Warmers



Minimum Clearance			
BACK	SIDE	BOTTOM	FRONT*
2 (51)	2 (51)	6-3/4 (171)	4-1/8 (105)

BMW206RTD



**NOTE:** Specifications are subject to change without notice and are not intended for installation purposes. See installation instructions prior to installing the unit.

## SPECIFICATIONS

Model Number	Description	Volts	Watts	Phase	AMPS	OVERALL Width Left to Right Inches (MM)	OVERALL Length Front to Back Inches (MM)	OVERALL Height Inches (MM)	CONTROL PANEL Width Inches (MM)	CONTROL PANEL Height Inches (MM)	Shipping Weights Pounds (KG)	Crate Size Cubic Feet (Cubic Meters)	Approvals
SS206ER-120	Infinite control no drain	120V	1200	1Ø	10	13-7/8 (352.4)	21-15/16 (557.2)	8-11/16 (221)	3-5/16 (84)	4-7/16 (113)	14 (6.4)	2.97 (0.084)	UL
SS206ER	Infinite control no drain	208/240V	900/1200	1Ø	4.3/5.0	13-7/8 (352.4)	21-15/16 (557.2)	8-11/16 (221)	3-5/16 (84)	4-7/16 (113)	14 (6.4)	2.97 (0.084)	UL
SS206ERD-120	Infinite control with drain	120V	1200	1Ø	10	13-7/8 (352.4)	21-15/16 (557.2)	8-11/16 (221)	3-5/16 (84)	4-7/16 (113)	14 (6.4)	2.97 (0.084)	UL
SS206ERD	Infinite control with drain	208/240V	900/1200	1Ø	4.3/5.0	13-7/8 (352.4)	21-15/16 (557.2)	8-11/16 (221)	3-5/16 (84)	4-7/16 (113)	14 (6.4)	2.97 (0.084)	UL
BMW206RT	Thermostatic controls no drain	208/240V	1240/1650	1Ø	4.3/5.0	13-7/8 (352.4)	21-15/16 (557.2)	8-5/16 (211)	5-7/8 (149)	6-1/4 (159)	22 (10)	2.97 (0.084)	UL
BMW206RTD120	Thermostatic controls with drain	120V	1200	1Ø	10	13-7/8 (352.4)	21-15/16 (557.2)	8-5/16 (211)	5-7/8 (149)	6-1/4 (159)	22 (10)	2.97 (0.084)	UL
BMW206RTD	Thermostatic controls with drain	208/240V	1240/1650	1Ø	4.3/5.0	13-7/8 (352.4)	21-15/16 (557.2)	8-5/16 (211)	5-7/8 (149)	6-1/4 (159)	22 (10)	2.97 (0.084)	UL
BMW206RTDU	Thermostatic controls with drain	208/240V	1240/1650	1Ø	6/6.9	13-7/8 (352.4)	21-15/16 (557.2)	8-5/16 (211)	5-7/8 (149)	6-1/4 (159)	22 (10)	2.97 (0.084)	UL
BMW206RTDAFU	Thermostatic controls with drain, AutoFill	208/240V	1240/1650	1Ø	6/6.9	13-7/8 (352.4)	21-15/16 (557.2)	8-5/16 (211)	14 (356)	6-1/4 (159)	24 (10.9)	2.97 (0.084)	UL

**AutoFill models require a water connection. Please refer to the operator's manual and installation instructions for details.**

Due to periodic changes in designs, methods, procedures, policies and regulations, the specifications contained in this sheet are subject to change without notice. While Wells exercises good faith efforts to provide information that is accurate, we are not responsible for errors or omissions in information provided or conclusions reached as a result of using the specifications. By using the information provided, the user assumes all risks in connection with such use.



**Wells Bloomfield** • 10 Sunnen Dr. St. Louis, MO 63143 U.S.A.  
Phone : (314) 678-6314 • Fax (314) 781-5445  
www.wellsbloomfield.com © 2012 Wells Bloomfield • Printed in the U.S.A.

**NOTE: Specifications are subject to change without notice and are not intended for installation purposes. See installation instructions prior to installing the unit.**