



SS10 SERIES-11 QUART TOP-MOUNT, ROUND DROP-IN WARMERS

**SS10TDU**

DESCRIPTION

The heavy-duty, top-mount, drop-in round food warmers are designed to hold heated foods at safe and fresh serving temperatures. Wells SS10 Series accommodates standard 11 quart round inset pans and are designed for wet or dry operations.

STANDARD FEATURES

- Accommodates standard 11-quart Insets
- 26 Models to choose from
- One-piece stainless steel top flange and heavy-gauge, deep-drawn stainless steel warming pans.
- Suitable for wet or dry operation
- Energy-saving, fully insulated models or standard non-insulated models
- Fully insulated models are perfect for non-metal counters (with adapter kit)
- Thermostatic or Infinite Controls
- High limits prevent overheating
- Infinite controls provided w/guard ring to prevent temperature change
- Thermostatic controls are recessed in a one-piece, front-mounted panel
- Wellslock is standard for easy installation
- Powerful tubular heating elements
- 4" drains available
- 1-Year Limited Parts & 1-Year Limited Labor Warranty

SPECIFICATIONS

Construction – One-piece stainless steel top flange and heavy-gauge, deep-drawn stainless steel warming pans are standard features on all models. Wellslocks are standard for quick and easy installation.

Insulation – Choose between models that are fully insulated around the sides and bottom or standard non-insulated models. Fully Insulated models save energy and may be installed in non-metal counters.

Controls & Heating – Models with thermostatic or infinite controls are available. High-limits prevent overheating. Temperature-ready indicator lights are standard on all control types. Powerful tubular heating elements are located under the warming pans for quick and efficient heating and for even heat distribution.

OPTIONS & ACCESSORIES

- Inset with lid
- 8 oz. soup ladle
- Drain value extension kit
- Adaptor top for 4-quart inset
- Adaptor top for 7-quart inset
- Non-metal counter adapter kit
- Optional 72" control wiring

ADDITIONAL FEATURES AVAILABLE

- 120V or 208/240V
- Drains
- Cord & plugs
- Fully insulated models or standard models
- Infinite or thermostatic controls

MINIMUM CLEARANCES	BACK (MM)	SIDE (MM)	BOTTOM (MM)	FRONT (MM)
STANDARD	1 (25)	1 (25)	8-1/2 (216)	4* (102)
FULLY INSULATED	1 (25)	1 (25)	8 (203)	4 (102)

* When control box is located below the warmer, front clearance may be reduces to 2 " or 52mm

2M-Z21335 Rev A [03/18]



Wells Manufacturing · 265 Hobson Street · Smithville, Tennessee 37166 U.S.A.
Phone (314) 678-6314 · Fax (314) 781-5445 · www.wells-mfg.com · Printed in the U.S.A.

NOTE: Specifications are subject to change without notice and are not intended for installation purposes. See installation instructions prior to installing the unit.



SS10 SERIES-11 QUART TOP-MOUNT, ROUND DROP-IN WARMERS

PLEASE NOTE: SOME MODEL NUMBERS HAVE CHANGED

SPECIFICATIONS											
OLD MODEL	NEW MODEL	CONTROLS	INSULATION	INSTALL WT	SHIP WT	VOLTAGE	WATTS	PHASE	PLUG	DRAIN	APPROVAL
SS10-120	SS10-120	Infinite	Non-Insulated	6 lbs./2.8 kg	7 lbs./3.2 kg	120V	450	1Ø	N/A	No	NSF, RAUS
SS10	SS10	Infinite	Non-Insulated	6 lbs./2.8 kg	7 lbs./3.2 kg	208V/240	338/450	1Ø	N/A	No	NSF, RAUS
SS10D-120	SS10D-120	Infinite	Non-Insulated	6 lbs./2.8 kg	7 lbs./3.2 kg	120V	450	1Ø	N/A	Yes	NSF, RAUS
SS10D	SS10D	Infinite	Non-Insulated	6 lbs./2.8 kg	7 lbs./3.2 kg	208V/240	620/825	1Ø	N/A	Yes	NSF, RAUS
SS10T-120	SS10T-120	Thermostatic	Non-Insulated	6 lbs./2.8 kg	7 lbs./3.2 kg	120V	825	1Ø	N/A	No	NSF, RAUS
SS10T	SS10T	Thermostatic	Non-Insulated	6 lbs./2.8 kg	7 lbs./3.2 kg	208V/240	620/825	1Ø	N/A	No	NSF, RAUS
SS10T-230	SS10T-230	Thermostatic	Non-Insulated	6 lbs./2.8 kg	7 lbs./3.2 kg	230V	825	1Ø	N/A	No	CE
SS10TD-120	SS10TD-120	Thermostatic	Non-Insulated	6 lbs./2.8 kg	7 lbs./3.2 kg	120V	825	1Ø	N/A	Yes	NSF, RAUS
SS10TD	SS10TD	Thermostatic	Non-Insulated	6 lbs./2.8 kg	7 lbs./3.2 kg	208V/240	620/825	1Ø	N/A	Yes	NSF, RAUS
SS10TD-230	SS10TD-230	Thermostatic	Non-Insulated	6 lbs./2.8 kg	7 lbs./3.2 kg	230V	825	1Ø	N/A	Yes	CE
SS10ULT-120	SS10TU-120	Thermostatic	Non-Insulated	6 lbs./2.8 kg	7 lbs./3.2 kg	120V	825	1Ø	N/A	No	NSF, cULUS
SS10ULT	SS10TU	Thermostatic	Non-Insulated	6 lbs./2.8 kg	7 lbs./3.2 kg	208V/240	620/825	1Ø	N/A	No	NSF, cULUS
SS10ULTD-120	SS10TDU-120	Thermostatic	Non-Insulated	6 lbs./2.8 kg	7 lbs./3.2 kg	120V	825	1Ø	N/A	Yes	NSF, cULUS
SS10ULTD	SS10TDU	Thermostatic	Non-Insulated	6 lbs./2.8 kg	7 lbs./3.2 kg	208V/240	620/825	1Ø	N/A	Yes	NSF, cULUS
SS10TUC-120	SS10TUC-120	Thermostatic	Non-Insulated	6 lbs./2.8 kg	7 lbs./3.2 kg	120V	825	1Ø	NEMA 5-15P	No	NSF, cULUS
SS10TUC	SS10TUC	Thermostatic	Non-Insulated	6 lbs./2.8 kg	7 lbs./3.2 kg	208V/240	620/825	1Ø	NEMA 6-15P	No	NSF, cULUS
SS10TDUC-120	SS10TDUC-120	Thermostatic	Non-Insulated	6 lbs./2.8 kg	7 lbs./3.2 kg	120V	825	1Ø	NEMA 5-15P	Yes	NSF, cULUS
SS10TDUC	SS10TDUC	Thermostatic	Non-Insulated	6 lbs./2.8 kg	7 lbs./3.2 kg	208V/240	620/825	1Ø	NEMA 6-15P	Yes	NSF, cULUS
SS10TUI-120	SS10TUI-120	Thermostatic	Fully Insulated	11.4 lbs/5.2 kg	12.4 lbs./5.6 kg	120V	825	1Ø	N/A	No	NSF, cULUS
SS10TUI	SS10TUI	Thermostatic	Fully Insulated	11.4 lbs/5.2 kg	12.4 lbs./5.6 kg	208V/240	620/825	1Ø	N/A	No	NSF, cULUS
SS10TDUI-120	SS10TDUI-120	Thermostatic	Fully Insulated	11.4 lbs/5.2 kg	12.4 lbs./5.6 kg	120V	825	1Ø	N/A	Yes	NSF, cULUS
SS10TDUI	SS10TDUI	Thermostatic	Fully Insulated	11.4 lbs/5.2 kg	12.4 lbs./5.6 kg	208V/240	620/825	1Ø	N/A	Yes	NSF, cULUS
SS10TUCI-120	SS10TUCI-120	Thermostatic	Fully Insulated	11.4 lbs/5.2 kg	12.4 lbs./5.6 kg	120V	825	1Ø	NEMA 5-15P	No	NSF, cULUS
SS10TUCI	SS10TUCI	Thermostatic	Fully Insulated	11.4 lbs/5.2 kg	12.4 lbs./5.6 kg	208V/240	620/825	1Ø	NEMA 6-15P	No	NSF, cULUS
SS10TDUCI-120	SS10TDUCI-120	Thermostatic	Fully Insulated	11.4 lbs/5.2 kg	12.4 lbs./5.6 kg	120V	825	1Ø	NEMA 5-15P	Yes	NSF, cULUS
SS10TDUCI	SS10TDUCI	Thermostatic	Fully Insulated	11.4 lbs/5.2 kg	12.4 lbs./5.6 kg	208V/240	620/825	1Ø	NEMA 6-15P	Yes	NSF, cULUS



2M-Z21335 Rev A [03/18]



Wells Manufacturing · 265 Hobson Street · Smithville, Tennessee 37166 U.S.A.
Phone (314) 678-6314 · Fax (314) 781-5445 · www.wells-mfg.com · Printed in the U.S.A.

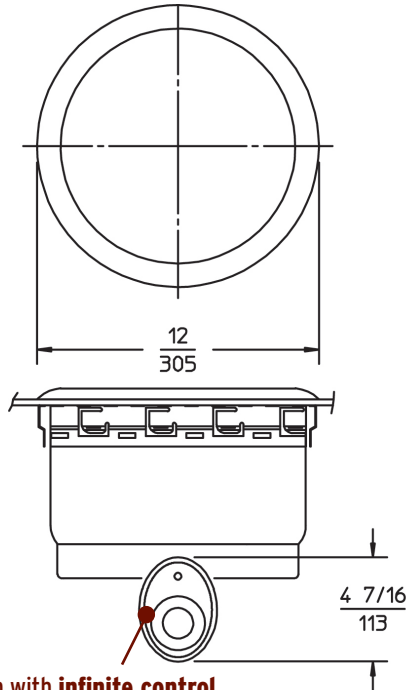
NOTE: Specifications are subject to change without notice and are not intended for installation purposes. See installation instructions prior to installing the unit.



SS10 SERIES-11 QUART TOP-MOUNT, ROUND DROP-IN WARMERS

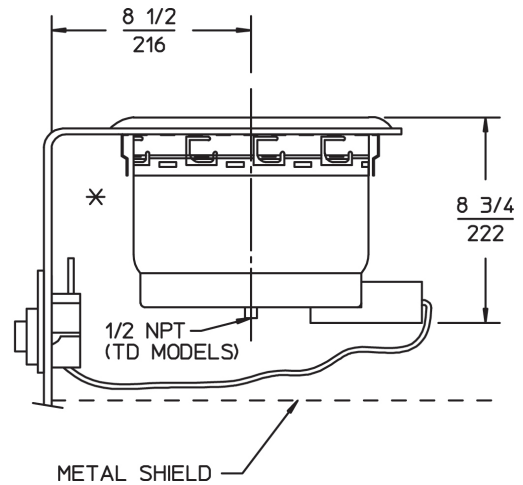
PRODUCT DIMENSIONS FOR STANDARD MODELS ONLY

INCHES
MM

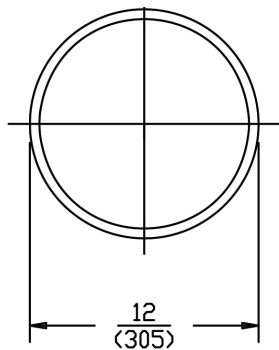


Shown with **infinite control**

NOTE: * CONTROL MUST NOT BE MOUNTED
IN THIS HIGH TEMPERATURE AREA.

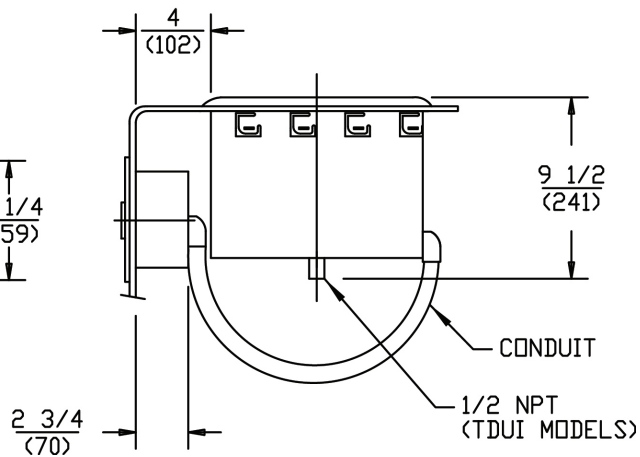
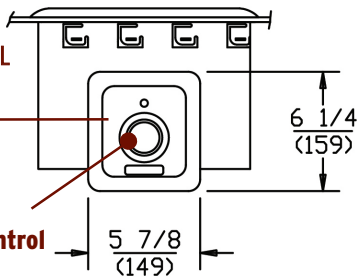


NOTE: Required with models without conduit



THIS CONTROL PANEL
IS FEATURED ON UL
CERTIFIED MODELS
ONLY

Shown with
thermostatic control



2M-Z21335 Rev A [03/18]



Wells Manufacturing · 265 Hobson Street · Smithville, Tennessee 37166 U.S.A.
Phone (314) 678-6314 · Fax (314) 781-5445 · www.wells-mfg.com · Printed in the U.S.A.

NOTE: Specifications are subject to change without notice and are not intended for installation purposes. See installation instructions prior to installing the unit.