

# 854F SERIES

## PORTABLE BEAM SCALES



Model  
854F100P

- 19 in W x 28 in D / 48 cm W x 71 cm D platform
- 5 in / 13 cm diameter rubolene wheels for maneuverability
- Die-cast weighbeam may be read from either side
- 5 different capacities available to choose from
- Constructed entirely of heavy-duty welded steel
- Electrostatic powder paint coating for long life



**Ideal for weighing propane tanks and use in hazardous locations due to its mechanical design.**

**Suitable for environments that require intrinsically safe equipment and locations without access to electricity.**

# MECHANICAL WEIGHBEAM PORTABLE FLOOR SCALES

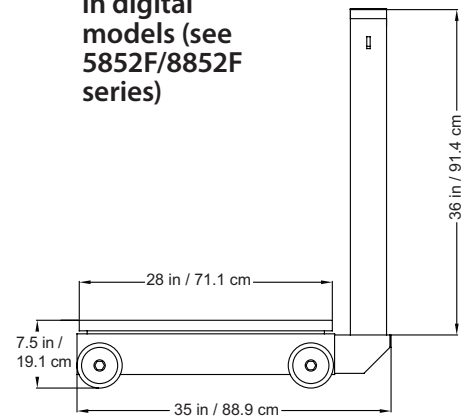
## The ultimate in portability and durability

These legal-for-trade portable floor scales let the weighing come to you. They offer maintenance-free operation through their lever system and require no power to operate, providing years of trouble-free use in tough environments. The die-cast beam with easy-to-read numbers is viewable on the front and back. These scales are ideal for weighing propane tanks and use in hazardous locations due to their mechanical design.

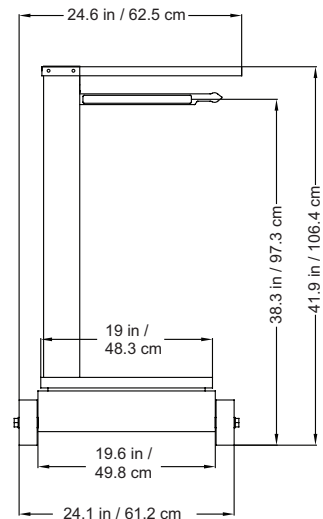
The 854F series is adaptable for versatile use in receiving departments, inventory management, commercial foodservice, in-plant weighing, material handling, bag filling, and general weighing applications. It is lightweight (116 lb / 53 kg net weight) and easy to maneuver with its four large rubolene wheels. The 854F series is suitable for environments that require intrinsically safe equipment and locations without access to electricity.



- NTEP and Measurement Canada certified
- Available in metric or avoirdupois (lb) or both
- Weights and hanger included
- Use in receiving, agriculture, warehousing, or general industrial weighing
- No power required for complete portability
- Also available in digital models (see 5852F/8852F series)



MODEL	854F100P	854F50P	854F50K	854F50PK	854F100PK
<b>Capacity</b>	1,000 lb	500 lb	500 kg	500 lb / 200 kg	1,000 lb / 500 kg
<b>Front of Beam</b>	100 lb x 1/2 lb	50 lb x 1/4 lb	50 kg x 1/4 kg	20 kg x 100 g	50 kg x 1/4 kg
<b>Back of Beam</b>	100 lb x 1/2 lb	50 lb x 1/4 lb	50 kg x 1/4 kg	50 lb x 1/4 lb	100 lb x 1/2 lb
<b>Platform Dimensions</b>	19 in W x 28 in D / 48 cm W x 71 cm D				
<b>Overall Dimensions</b>	24.1 in W x 35 in D x 41.9 in H / 61.2 cm W x 88.9 cm D x 106.4 cm H				
<b>Platform, Base, and Column</b>	Mild steel with gray and black powder coat paint				
<b>Wheels</b>	5 in / 13 cm diameter x 2 in / 5 cm depth rubolene with 550 lb load rating				
<b>Net Weight</b>	116 lb / 53 kg				
<b>Shipping Weight</b>	125 lb / 57 kg				
<b>Certifications</b>	NTEP (CC 88-106) Measurement Canada (S.WA-4097)				
<b>Country of Origin</b>	USA				
<b>UPC Code</b>	809161114201	809161114300	809161114409	809161114508	809161114607



DETECTO reserves the right to improve, enhance, or modify features and specifications without prior notice.



102 E. Daugherty, Webb City, MO 64870 USA  
Ph: 417-673-4631 or 1-800-641-2008 Fax: 417-673-2153

**SOLD BY:**