



**John
BOOS**
Since 1887

ITEM #: _____ QTY: _____
MODEL #: _____
PROJECT NAME: _____

122817

3601 S. Banker St. Effingham, IL 62401 • P.O. BOX 609 • Ph: (888) 431-2667 • Fax: (800) 433-2667

"BHS-T" TUBULAR WALL SHELVES - STAINLESS STEEL 16GA W/ 1-5/8" TUBING, END BRACKETS INCLUDED

FEATURES:

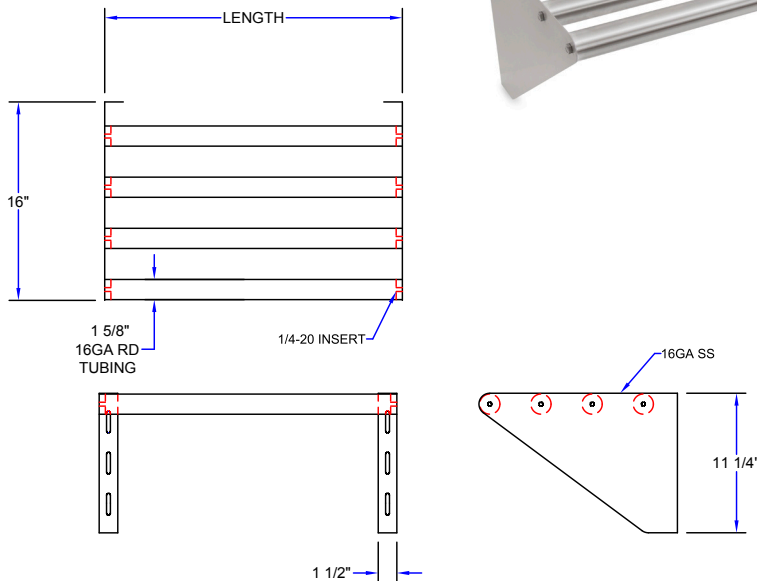
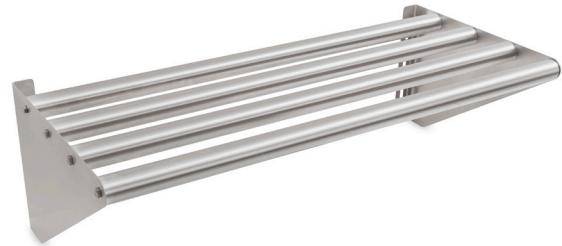
- 16 GAUGE, TYPE 300 STAINLESS STEEL WITH #4 POLISH, SATIN FINISH
- (4) 1-5/8" TUBING FOR SHELF
- FLAT TOP
- SHIPPED KNOCKED-DOWN, EASY-TO-ASSEMBLE, MOST SHIP UPS

MATERIAL:

- SHELF: 1-5/8" TUBULAR, TYPE 300 STAINLESS STEEL #4 POLISH, SATIN FINISH
- BRACKETS: 16 GAUGE, TYPE 300 STAINLESS STEEL #4 POLISH, SATIN FINISH

CONSTRUCTION:

- 1-5/8" TUBES ARE BOLTED AT ENDS TO BRACKETS



TUBULAR WALL SHELVES - STAINLESS STEEL 16GA

MODEL #	QTY	WIDTH	LENGTH	WEIGHT (LBS)
BHS1624-T		16"	24"	9
BHS1636-T		16"	36"	12
BHS1648-T		16"	48"	15
BHS1660-T		16"	60"	18.5
BHS1672-T		16"	72"	22

SOME UNITS SHIP UNASSEMBLED FOR REDUCED SHIPPING COST. ALL DIMENSIONS ARE TYPICAL. TOLERANCE +/- .500"

John Boos & Co. is constantly engaged in a program of improving products and therefore reserves the right to change specifications without prior notice.