



ITEM #: _____ QTY: _____
 MODEL #: _____
 PROJECT NAME: _____

101218

3601 S. Banker St. Effingham, IL 62401 • P.O. BOX 609 • Ph: (888) 431-2667 • Fax: (800) 433-2667

"FTFG" FLOOR TROUGHS - FIBERGLASS
4" DEEP W/ SUBWAY-STYLE FIBERGLASS GRATING AND
REMOVABLE PERFORATED STRAINED

FEATURES:

- ACCOMMODATES A 4" O.D. DIAMETER DRAIN PIPE 3.25" LONG
- REMOVABLE GRAY FIBERGLASS SUBWAY STYLE GRATING WITH NON-SLIP SURFACE ON 1-1/2" CENTERS
- 5 DEGREE BREAKS IN BOTTOM FOR POSITIVE DRAINAGE TOWARDS DRAIN

CONSTRUCTION:

- ALL TIG WELDED, EXPOSED WELDS ARE POLISHED TO MATCH ADJACENT SURFACE

MATERIAL:

- 14 GAUGE, TYPE 300 STAINLESS STEEL

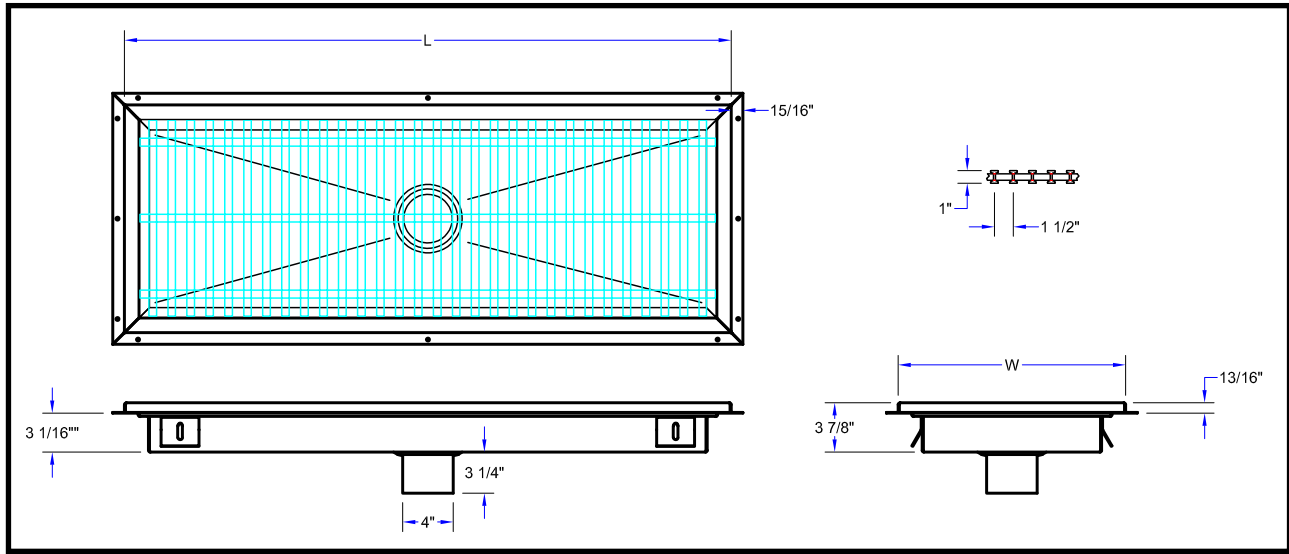


FTFG-1836

FLOOR TROUGHS - FIBERGLASS

12" WIDE	QTY	18" WIDE	QTY	24" WIDE	QTY
FTFG-1224		FTFG-1824		FTFG-2424	
FTFG-1236		FTFG-1836		FTFG-2436	
FTFG-1248		FTFG-1848		FTFG-2448	
FTFG-1260		FTFG-1860		FTFG-2460	
FTFG-1272		FTFG-1872		FTFG-2472	
FTFG-1284		FTFG-1884		FTFG-2484	
FTFG-1296		FTFG-1896		FTFG-2496	
FTFG-12108		FTFG-18108		FTFG-24108	
FTFG-12120		FTFG-18120		FTFG-24120	

DETAILED SPECIFICATIONS



FLOOR TROUGHS - FIBERGLASS

L	12" WIDE	WEIGHT (LBS)	18" WIDE	WEIGHT (LBS)	24" WIDE	WEIGHT (LBS)
24"	FTFG-1224	21	FTFG-1824	30	FTFG-2424	45
36"	FTFG-1236	34	FTFG-1836	50	FTFG-2436	74
48"	FTFG-1248	42	FTFG-1848	76	FTFG-2448	92
60"	FTFG-1260	53	FTFG-1860	83	FTFG-2460	115
72"	FTFG-1272	63	FTFG-1872	93	FTFG-2472	138
84"	FTFG-1284	77	FTFG-1884	102	FTFG-2484	162
96"	FTFG-1296	83	FTFG-1896	120	FTFG-2496	206
108"	FTFG-12108	95	FTFG-18108	133	FTFG-24108	226
120"	FTFG-12120	106	FTFG-18120	146	FTFG-24120	246

SOME UNITS SHIP UNASSEMBLED FOR REDUCED SHIPPING COST. ALL DIMENSIONS ARE TYPICAL. TOLERANCE +/- .500"
 John Boos & Co. is constantly engaged in a program of improving products and therefore reserves the right to change specifications without prior notice.

