



**John  
BOOS**  
Since 1887

ITEM #: \_\_\_\_\_ QTY: \_\_\_\_\_  
 MODEL #: \_\_\_\_\_  
 PROJECT NAME: \_\_\_\_\_

063017

3601 S. Banker St. Effingham, IL 62401 • P.O. BOX 609 • Ph: (888) 431-2667 • Fax: (800) 433-2667

## **"OS-E" 18GA - STAINLESS STEEL OVERSHELVES**



### **FEATURES:**

- 18 GAUGE, TYPE 300 STAINLESS STEEL W/ #4 POLISH, SATIN FINISH
- UPRIGHTS ARE 1-1/4" 18 GAUGE ROUND O.D. STAINLESS STEEL
- SQUARE TURNDOWN EDGE ON ALL FOUR SIDES
- SINGLE OVERSHELVES ARE MOUNTED 18" ABOVE TABLE TOP
- DOUBLE OVERSHELF ARE MOUNTED 18" ABOVE TABLE TOP W/ TOP SHELF 12" ABOVE MID SHELF
- MID SHELF OF DOUBLE SHELF UNITS ARE ADJUSTABLE
- NSF AND CSA CERTIFIED



**OS-ES-1248**  
(Does Not Include Table)

### **CONSTRUCTION:**

- STAINLESS STEEL OVERSHELVES ARE TIG WELDED
- EXPOSED WELDS ARE POLISHED TO MATCH ADJACENT SURFACES



**OS-ED-1248**  
(Does Not Include Table)

DOUBLE OVER SHELF WITH  
ADJUSTABLE MID SHELF

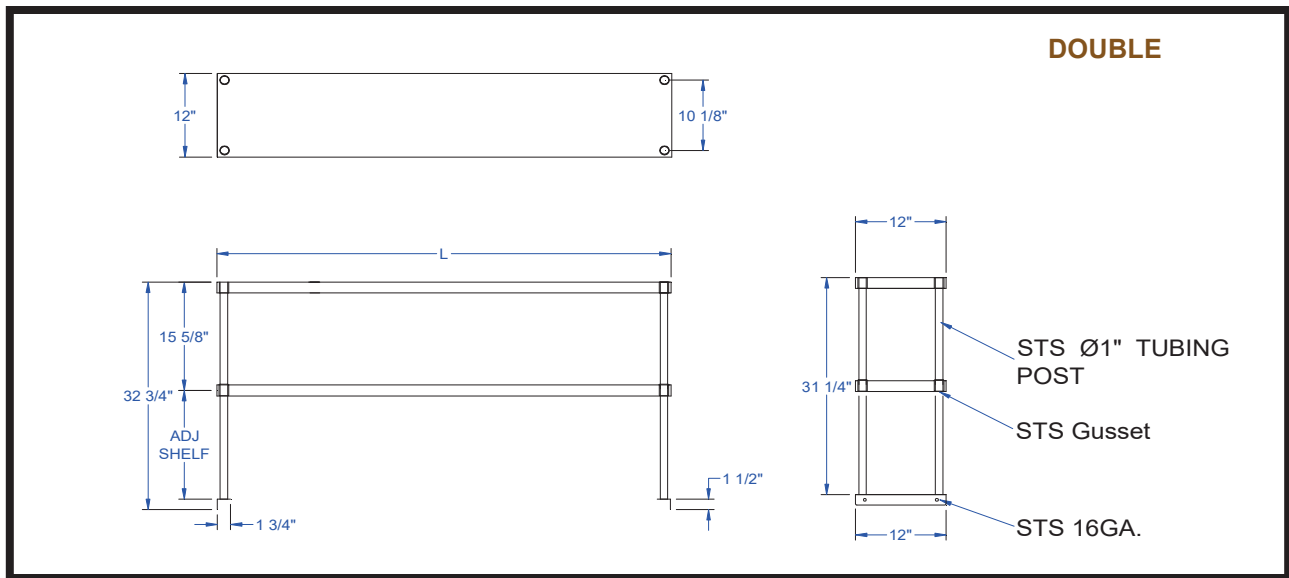
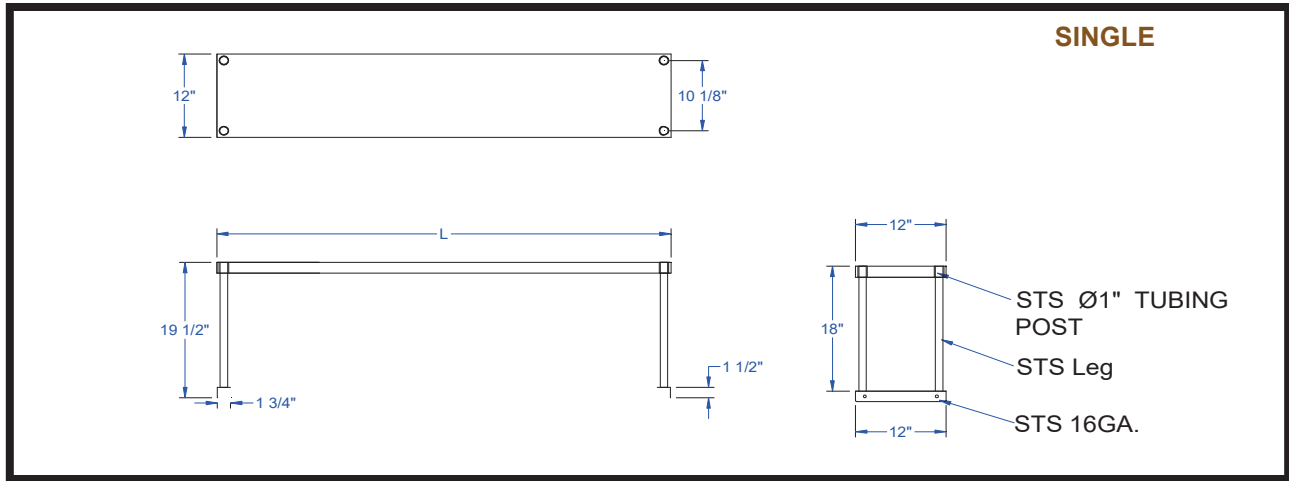
### **MATERIAL:**

- SHELF: 16 GAUGE TYPE 300 STAINLESS STEEL W/ #4 POLISH, SATIN FINISH
- UPRIGHTS: 1-1/4" ROUND O.D. 18 GAUGE TYPE 300 TUBULAR STAINLESS STEEL W/ #4 POLISH, SATIN FINISH

<b>STAINLESS STEEL OVERSHELVES SINGLE SHELF</b>		
SIZE (WXL)	MODEL	QTY
12" X 36"	OS-ES-1236	
12" X 48"	OS-ES-1248	
12" X 60"	OS-ES-1260	
12" X 72"	OS-ES-1272	
12" X 96"	OS-ES-1296	
18" X 36"	OS-ES-1836	
18" X 48"	OS-ES-1848	
18" X 60"	OS-ES-1860	
18" X 72"	OS-ES-1872	
18" X 96"	OS-ES-1896	

<b>STAINLESS STEEL OVERSHELVES DOUBLE SHELF</b>		
SIZE (WXL)	MODEL	QTY
12" X 36"	OS-ED-1236	
12" X 48"	OS-ED-1248	
12" X 60"	OS-ED-1260	
12" X 72"	OS-ED-1272	
12" X 96"	OS-ED-1296	
18" X 36"	OS-ED-1836	
18" X 48"	OS-ED-1848	
18" X 60"	OS-ED-1860	
18" X 72"	OS-ED-1872	
18" X 96"	OS-ED-1896	

# DETAILED SPECIFICATIONS



STAINLESS STEEL OVERSHELVES SINGLE SHELF		
SIZE (WXL)	MODEL	WEIGHT (LBS)
12" X 36"	OS-ES-1236	15
12" X 48"	OS-ES-1248	17
12" X 60"	OS-ES-1260	21
12" X 72"	OS-ES-1272	24
12" X 96"	OS-ES-1296	40
18" X 36"	OS-ES-1836	23
18" X 48"	OS-ES-1848	24
18" X 60"	OS-ES-1860	29
18" X 72"	OS-ES-1872	34
18" X 96"	OS-ES-1896	56

STAINLESS STEEL OVERSHELVES DOUBLE SHELF		
SIZE (WXL)	MODEL	WEIGHT (LBS)
12" X 36"	OS-ED-1236	24
12" X 48"	OS-ED-1248	31
12" X 60"	OS-ED-1260	36
12" X 72"	OS-ED-1272	40
12" X 96"	OS-ED-1296	56
18" X 36"	OS-ED-1836	33
18" X 48"	OS-ED-1848	43
18" X 60"	OS-ED-1860	50
18" X 72"	OS-ED-1872	56
18" X 96"	OS-ED-1896	68

SOME UNITS SHIP UNASSEMBLED FOR REDUCED SHIPPING COST. ALL DIMENSIONS ARE TYPICAL. TOLERANCE +/- .500"  
 John Boos & Co. is constantly engaged in a program of improving products and therefore reserves the right to change specifications without prior notice.



3601 S. Banker St. • Effingham, IL 62401 • PO BOX 609 • quotes@johnboos.com

063017



www.johnboos.com

401