

ITEM #: _____ QTY: _____
 MODEL #: _____
 PROJECT NAME: _____

033018

3601 S. Banker St. Effingham, IL 62401 • P.O. BOX 609 • Ph: (888) 431-2667 • Fax: (800) 433-2667

"PB-DIIB-CP" DROP-IN ICE BIN 
WITH COLD PLATE

FEATURES:

- 10" DEEP ICE BIN
- INSULATED BASIN
- 1/2" RAISED LIP AROUND TOP OF ICE BIN
- INCLUDES STAINLESS STEEL SLIDING LID
- INCLUDES 10 CIRCUIT COLD PLATE WITH 1/2" X 5" MPT NIPPLE

CONSTRUCTION:

- ICE BINS ARE TIG WELDED, EXPOSED WELDS ARE POLISHED TO MATCH ADJACENT SURFACE

MATERIAL:

- DECK: 14 GAUGE TYPE 300 STAINLESS STEEL
- BASE: 18 GAUGE TYPE 300 STAINLESS STEEL



PB-DIIB2820CP10



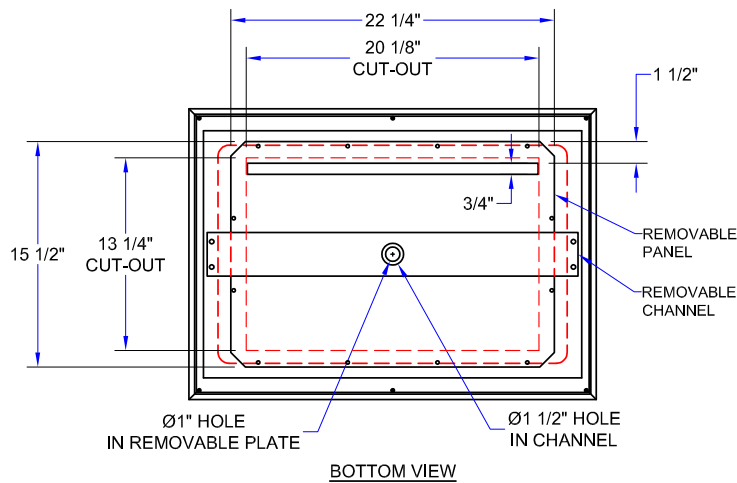
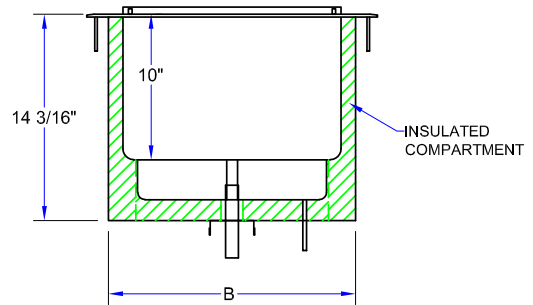
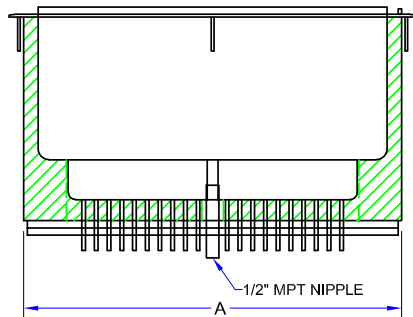
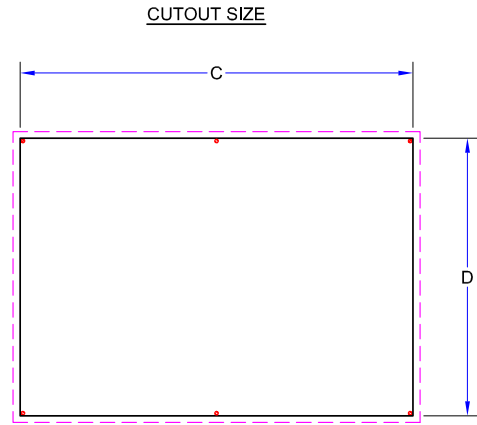
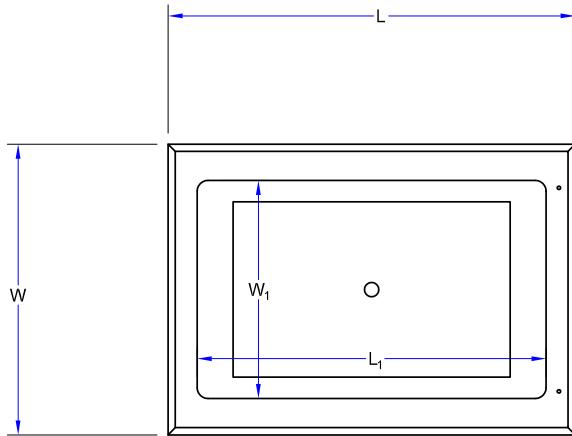
PB-DIIB2820CP10



DROP-IN ICE BIN WITH COLD PLATE

MODEL #	QTY
PB-DIIB2820CP10	
PB-DIIB3420CP10	

DETAILED SPECIFICATIONS



DROP-IN ICE BIN WITH COLD PLATE

MODEL #	L	W	L ₁	W ₁	A	B	C	D
PB-DIIB2820CP10	28"	20"	24"	15"	26"	17"	27"	19-1/8"
PB-DIIB3420CP10	34"	20"	30"	15"	32"	17"	33"	19-1/8"

SOME UNITS SHIP UNASSEMBLED FOR REDUCED SHIPPING COST. ALL DIMENSIONS ARE TYPICAL. TOLERANCE +/- .500"
 John Boos & Co. is constantly engaged in a program of improving products and therefore reserves the right to change specifications without prior notice.



3601 S. Banker St. • Effingham, IL 62401 • PO BOX 609 • quotes@johnboos.com

031918



www.johnboos.com

717