

ITEM #: _____ QTY: _____
 MODEL #: _____
 PROJECT NAME: _____

090718

3601 S. Banker St. Effingham, IL 62401 • P.O. BOX 609 • Ph: (888) 431-2667 • Fax: (800) 433-2667

"PB-DIIB" DROP-IN ICE BIN 

FEATURES:

- 10" DEEP ICE BIN
- INSULATED BASIN
- 1/2" RAISED LIP AROUND TOP OF ICE BIN
- INCLUDES STAINLESS STEEL SLIDING LID
- INCLUDES 1-7/8" DRAIN WITH 1" NPS THREADS

CONSTRUCTION:

- ICE BINS ARE TIG WELDED, EXPOSED WELDS ARE POLISHED TO MATCH ADJACENT SURFACE

MATERIAL:

- DECK: 14 GAUGE TYPE 300 STAINLESS STEEL
- BASE: 18 GAUGE TYPE 300 STAINLESS STEEL



PB-DIIB2818



1/2" RAISED LIP AROUND TOP OF ICE BIN

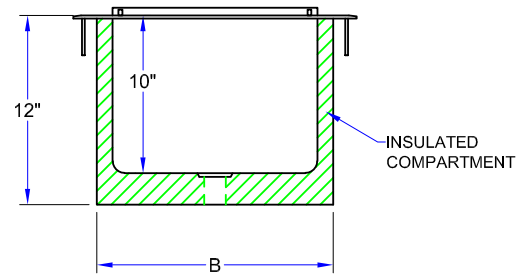
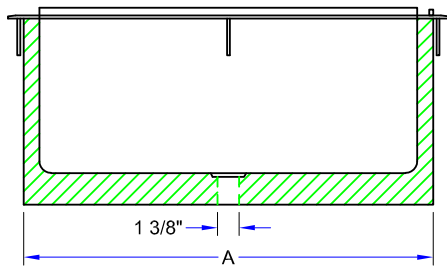
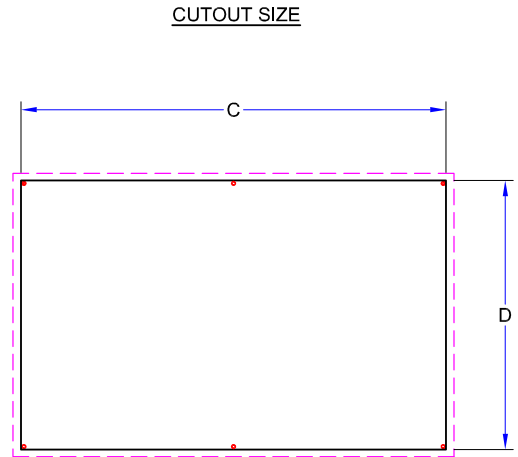
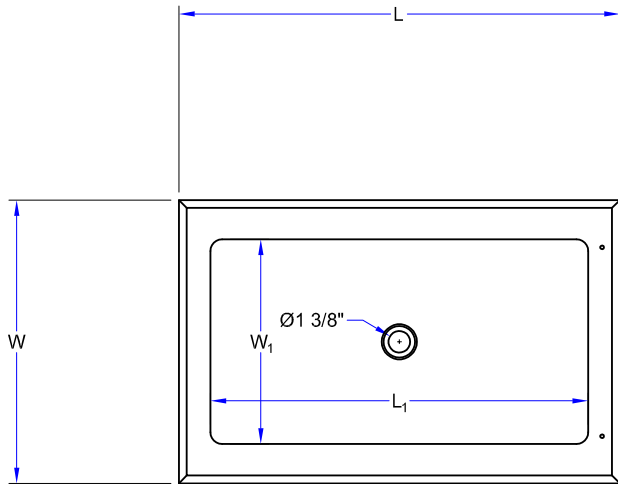


PB-DIIB2818

DROP-IN ICE BIN

MODEL #	QTY
PB-DIIB1218	
PB-DIIB2218	
PB-DIIB2818	
PB-DIIB3418	

DETAILED SPECIFICATIONS



DROP-IN ICE BIN

MODEL #	L	W	L ₁	W ₁	A	B	C	D
PB-DIIB1218	12	18	9	13	15	11	11.25	17.125
PB-DIIB2218	22	18	18	13	20	15	21	17.125
PB-DIIB2818	28	18	24	13	26	15	27	17.125
PB-DIIB3418	34	18	30	13	32	15	33	17.125

SOME UNITS SHIP UNASSEMBLED FOR REDUCED SHIPPING COST. ALL DIMENSIONS ARE TYPICAL. TOLERANCE +/- .500"
 John Boos & Co. is constantly engaged in a program of improving products and therefore reserves the right to change specifications without prior notice.



Boos
lock

AQ AutoQuotes

3601 S. Banker St. • Effingham, IL 62401 • PO BOX 609 • quotes@johnboos.com

www.johnboos.com

090718

725