



**John  
BOOS**  
Since 1887

ITEM #: \_\_\_\_\_ QTY: \_\_\_\_\_

MODEL #: \_\_\_\_\_

PROJECT NAME: \_\_\_\_\_

110718

3601 S. Banker St. Effingham, IL 62401 • P.O. BOX 609 • Ph: (888) 431-2667 • Fax: (800) 433-2667

## "PBF-DLF" 4" DECKMOUNT ECONOMY FAUCETS

### FEATURES:

- HEAVY DUTY DOUBLE SEAT 1/4" TURN CERAMIC CARTRIDGES
- COLOR CODED HOT & COLD INDICATORS
- DOUBLE O-RING SPOUT SEAL
- HIGH POLISHED TRIPLE DIPPED CHROME FINISH
- INTEGRAL CHECK VALVE
- LEAD FREE COMPLIANT



ADA  
Compliant



PBF-4-D-10LF

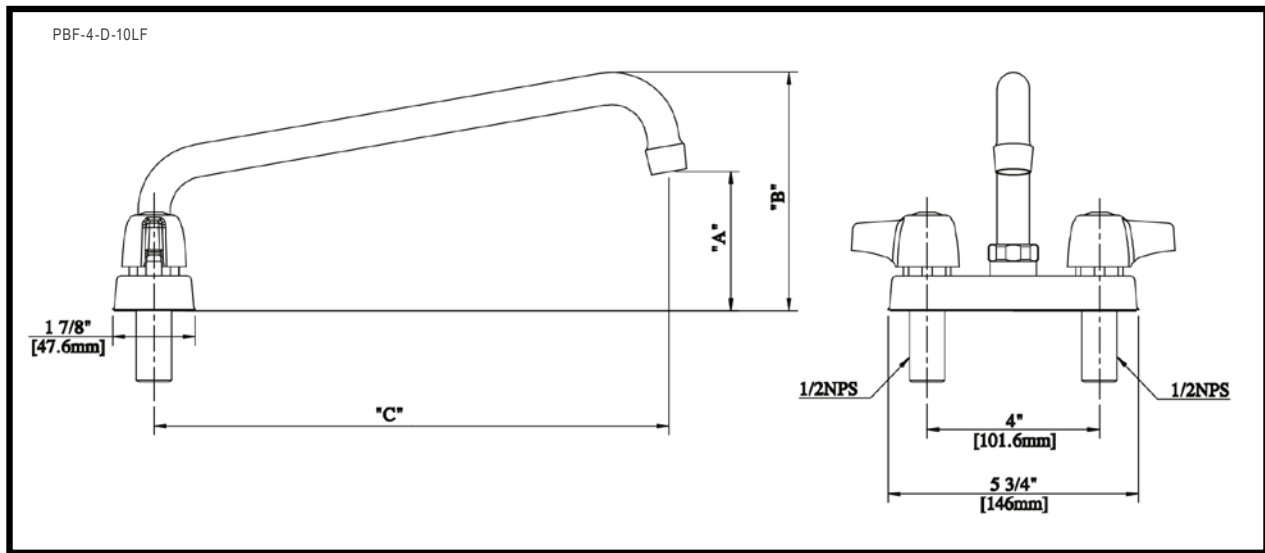
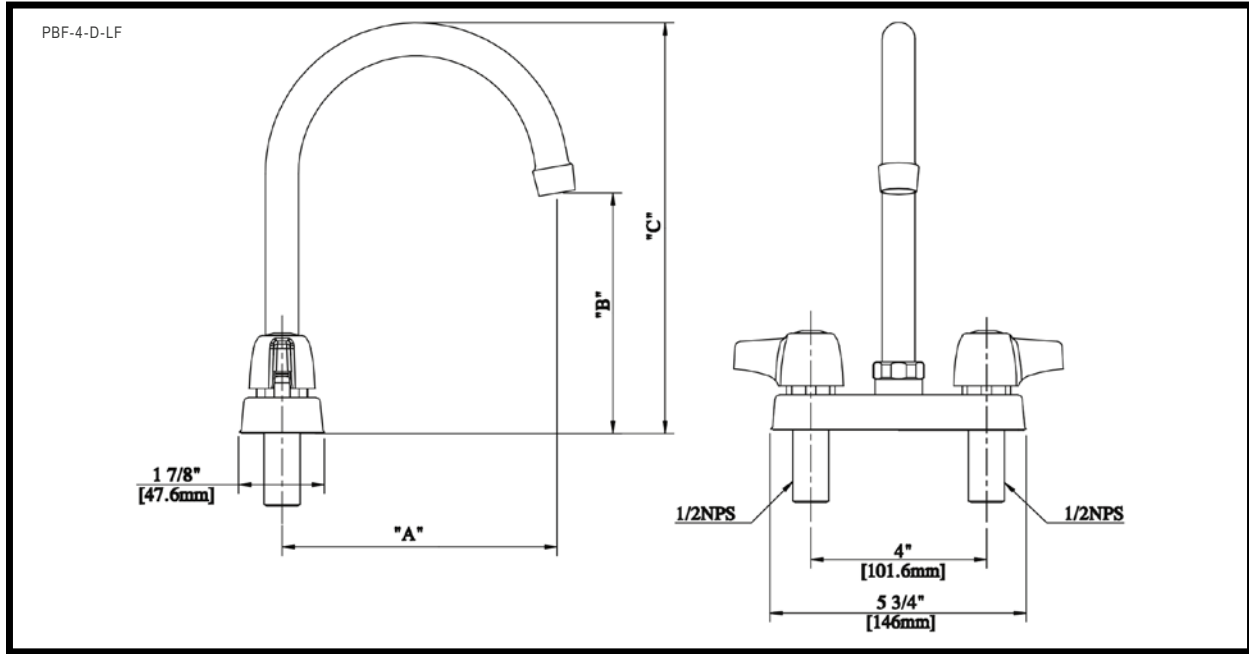


PBF-4-D-LF

### **DECKMOUNT FAUCETS**

MODEL #	DESCRIPTION	QTY
PBF-4-D-LF	4" CENTERS, 3-1/2" GOOSENECK SPOUT (WRIST BLADES NOT AVAILABLE)	
PBF-4-D-10LF	4" CENTERS, 10" SWING NOZZLE, W/ 1/2" NPT	

# DETAILED SPECIFICATIONS



## DECKMOUNT FAUCETS

MODEL #	DESCRIPTION	A	B	C
PBF-4-D-LF	4" CENTERS, 3-1/2" GOOSENECK SPOUT (WRIST BLADES NOT AVAILABLE)	3.5"	5.13"	7.88"
PBF-4-D-10LF	4" CENTERS, 10" SWING NOZZLE, W/ 1/2" NPT	2.69"	4.88"	10"

SOME UNITS SHIP UNASSEMBLED FOR REDUCED SHIPPING COST. ALL DIMENSIONS ARE TYPICAL. TOLERANCE +/- .500"  
 John Boos & Co. is constantly engaged in a program of improving products and therefore reserves the right to change specifications without prior notice.



3601 S. Banker St. • Effingham, IL 62401 • PO BOX 609 • quotes@johnboos.com

[www.johnboos.com](http://www.johnboos.com)