



**John
BOOS**
Since 1887

ITEM #: _____ QTY: _____
 MODEL #: _____
 PROJECT NAME: _____

110718

3601 S. Banker St. Effingham, IL 62401 • P.O. BOX 609 • Ph: (888) 431-2667 • Fax: (800) 433-2667

"PBF-LF" 4" SPLASHMOUNT ECONOMY FAUCETS

FEATURES:

- HEAVY DUTY DOUBLE SEAT 1/4" TURN CERAMIC CARTRIDGES
- COLOR CODED HOT & COLD INDICATORS
- DOUBLE O-RING SPOUT SEAL
- HIGH POLISHED TRIPLE DIPPED CHROME FINISH
- INTEGRAL CHECK VALVE
- LEAD FREE COMPLIANT



ADA
Compliant



PBF-W2-8LF

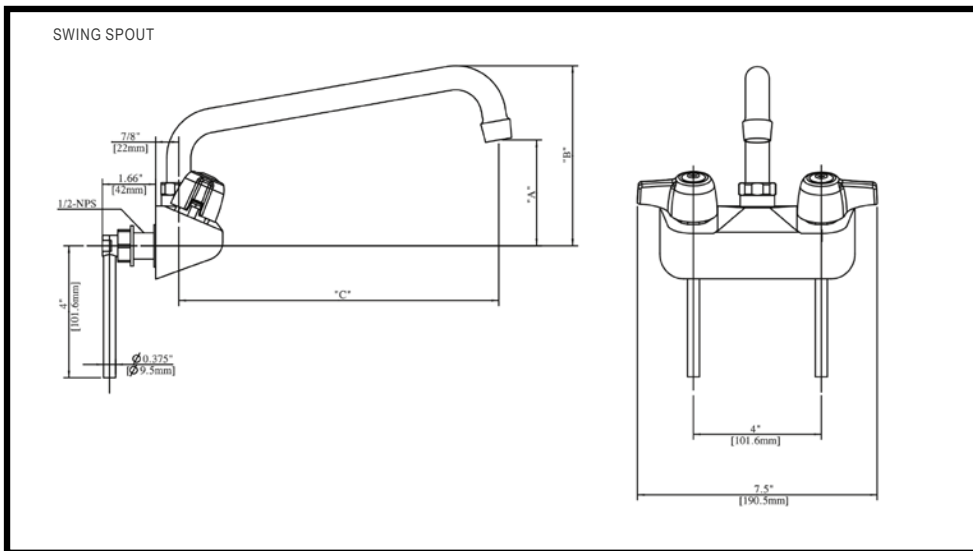
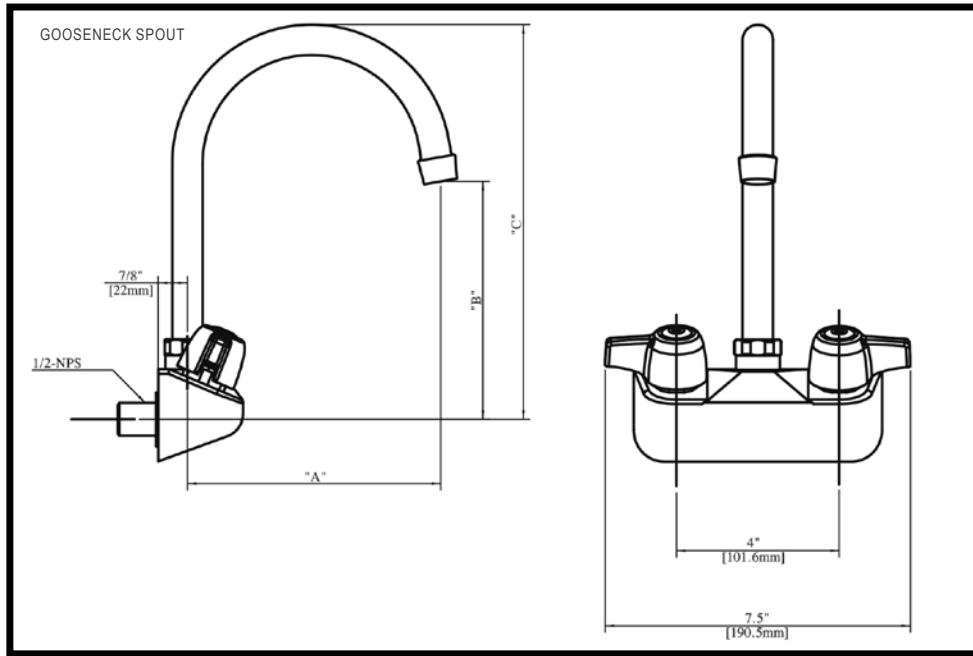


PBF-4-S-LF

SPLASHMOUNT FAUCETS

MODEL #	DESCRIPTION	QTY
PBF-W2-3GLF	3-1/2" GOOSENECK SPOUT, SHALLOW MOUNT	
PBF-4-S-LF	3-1/2" GOOSENECK SPOUT	
PBF-W2-6LF	6" SWING SPOUT	
PBF-W2-8LF	8" SWING SPOUT	
PBF-W2-10LF	10" SWING SPOUT	

DETAILED SPECIFICATIONS



SPLASHMOUNT FAUCETS

MODEL #	DESCRIPTION	A	B	C
PBF-W2-3GLF	3-1/2" GOOSENECK SPOUT, SHALLOW MOUNT	3.5"	5.13"	7.88"
PBF-4-S-LF	3-1/2" GOOSENECK SPOUT	3.5"	5.13"	7.88"
PBF-W2-6LF	6" SWING SPOUT	1.88"	4.16"	6"
PBF-W2-8LF	8" SWING SPOUT	2.31"	4.56"	8"
PBF-W2-10LF	10" SWING SPOUT	2.69"	4.88"	10"

SOME UNITS SHIP UNASSEMBLED FOR REDUCED SHIPPING COST. ALL DIMENSIONS ARE TYPICAL. TOLERANCE +/- .500"
 John Boos & Co. is constantly engaged in a program of improving products and therefore reserves the right to change specifications without prior notice.



3601 S. Banker St. • Effingham, IL 62401 • PO BOX 609 • quotes@johnboos.com

103018

www.johnboos.com

913

