



ITEM #: \_\_\_\_\_ QTY: \_\_\_\_\_  
 MODEL #: \_\_\_\_\_  
 PROJECT NAME: \_\_\_\_\_

070717

3601 S. Banker St. Effingham, IL 62401 • P.O. BOX 609 • Ph: (888) 431-2667 • Fax: (800) 433-2667

**"PBHS-14-2DM" PRO-BOWL HAND SINKS**  
**FOR DECK MOUNT FAUCETS**



**FEATURES:**

- ONE PIECE DEEP DRAWN BOWL
- ALL SINK BOWLS HAVE LARGE LIBERAL RADIUS CORNERS
- INCLUDES BASKET DRAIN
- DECK MOUNT FAUCET HOLES 4" ON-CENTER

**CONSTRUCTION:**

- BOWL: STAINLESS STEEL TOPS ARE TIG WELDED, EXPOSED WELDS ARE POLISHED TO MATCH ADJACENT SURFACE.

**MATERIAL:**

- BOWL: TYPE 300 STAINLESS STEEL POLISH, SATIN FINISH
- BRACKET: TYPE 300 STAINLESS STEEL POLISH, SATIN FINISH



PBHS-W1410-2DM



PBHS-W-1410-2DM-SSLR

**PRO-BOWL HAND SINKS**

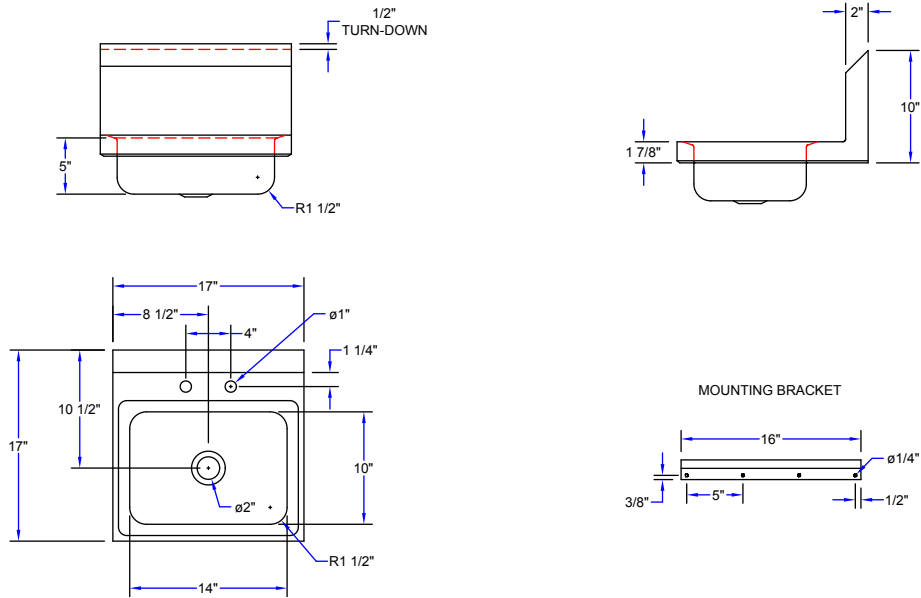
MODEL #	QTY
PBHS-W-1410-2DM	
PBHS-W-1410-2DM-SSLR	

**OPTIONAL ACCESSORIES**

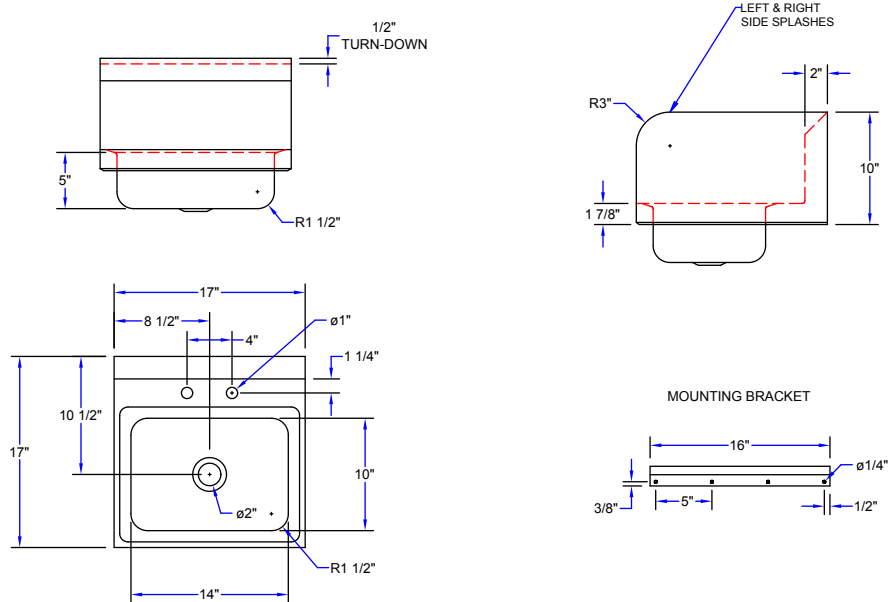
DESCRIPTION	QTY
FAUCETS	
SIDE SPASH	
ADA WRIST BLADES	
TOWEL DISPENSER	
LEVER WASTES	
OVER FLOWS	
P-TRAPS	

# DETAILED SPECIFICATIONS

## PBHS-W-1410-2DM



## PBHS-W-1410-2DM-SSLR



### PRO-BOWL HAND SINKS

MODEL #	BOWL SIZE (LxWxD)	DRAIN SIZE	FAUCET LOCATION	SIDE SPLASH
PBHS-W-1410-2DM	14" X 10" X 5"	1-7/8"	DECK MOUNT: 4" ON-CENTER	N/A
PBHS-W-1410-2DM-SSLR	14" X 10" X 5"	1-7/8"	DECK MOUNT: 4" ON-CENTER	N/A

DRAIN PLUMBING CONNECTION 1-1/2" THREADS

SOME UNITS SHIP UNASSEMBLED FOR REDUCED SHIPPING COST. ALL DIMENSIONS ARE TYPICAL. TOLERANCE +/- .500"  
 John Boos & Co. is constantly engaged in a program of improving products and therefore reserves the right to change specifications without prior notice.



3601 S. Banker St. • Effingham, IL 62401 • PO BOX 609 • quotes@johnboos.com

www.johnboos.com