

ITEM #: _____ QTY: _____
 MODEL #: _____
 PROJECT NAME: _____

062217

3601 S. Banker St. Effingham, IL 62401 • P.O. BOX 609 • Ph: (888) 431-2667 • Fax: (800) 433-2667

"FSG" UNIVERSAL DEEP FRYER SPLASH GUARD

FEATURES:

- FITS LEFT OR RIGHT SIDE OF FRYER
- EASILY REMOVABLE FOR CLEANING

CONSTRUCTION:

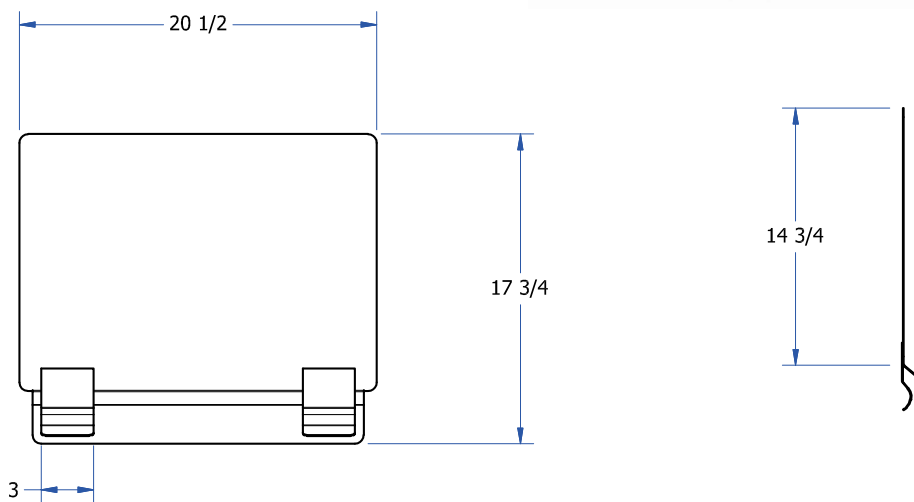
- TOP: STAINLESS STEEL TOPS ARE TIG WELDED, EXPOSED WELDS POLISHED TO MATCH ADJACENT SURFACE

MATERIAL:

- 18GA 300 SERIES STAINLESS STEEL



FSG-2018



UNIVERSAL DEEP FRYER SPLASH GUARD

MODEL	OVERALL DIMENSIONS	WT. (LBS)	QTY
FSG-2018	20.5" X 17.75"	4.5	

SOME UNITS SHIP UNASSEMBLED FOR REDUCED SHIPPING COST. ALL DIMENSIONS ARE TYPICAL. TOLERANCE +/- .500"

John Boos & Co. is constantly engaged in a program of improving products and therefore reserves the right to change specifications without prior notice.