

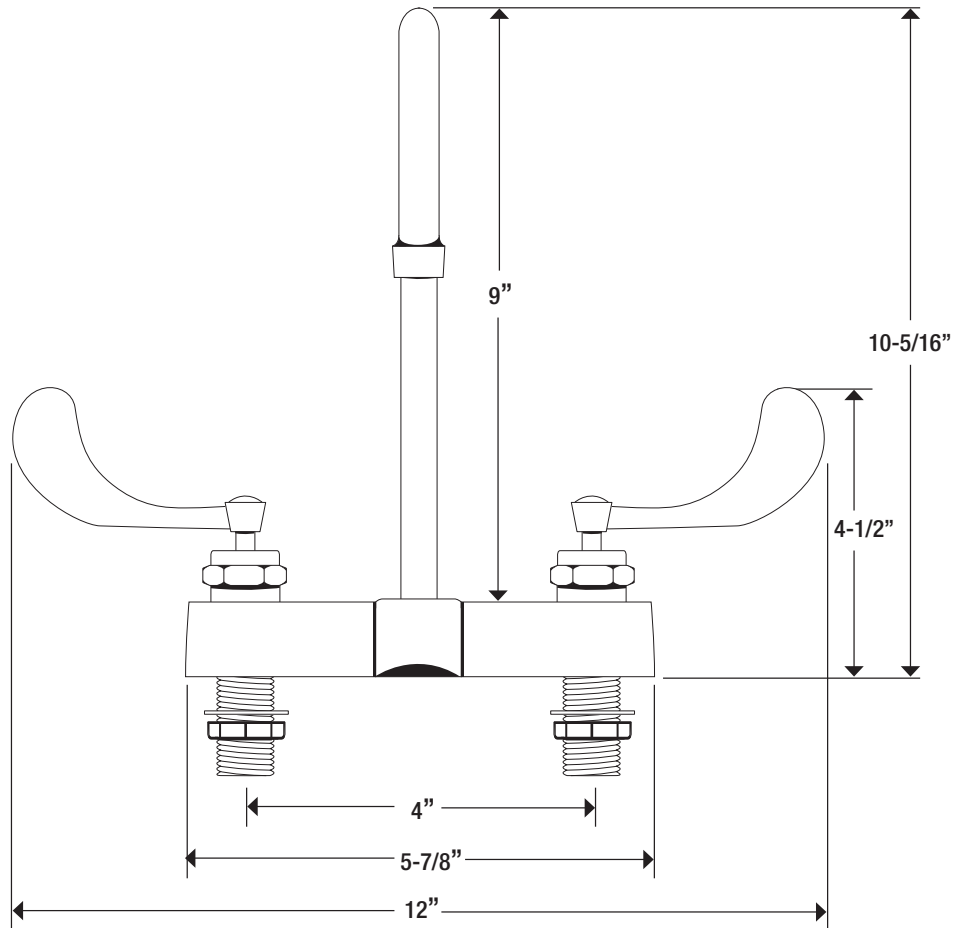
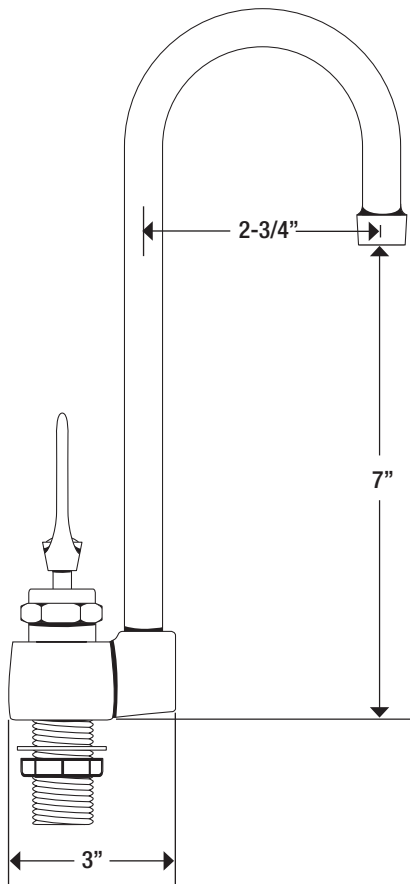
Model: **14-546L** Item #: _____ Date: _____
 Project: _____ Qty: _____ Approved By: _____

Product Image



Standard Features

- Heavy Duty
- 4" Centers
- 1/4 turn Ceramic Cartridge Valves
- Wrist Blade Handles
- Solid Brass Construction
- 0.5 GPM aerator installed (1.5 GPM aerator included)
- Rigid Gooseneck Spout



Certified to
NSF/ANSI 61-G



Royal Series Plumbing Restroom Faucet with Rigid Gooseneck Spout

Model: **14-546L** Item #: _____ Date: _____
 Project: _____ Qty: _____ Approved By: _____

NO.	Item	Model #
1	Wrist Blade Handles Kit (Includes 2 Handles)	21-311L
2	Hot Cartridge Valve	21-309L
3	Cold Cartridge Valve	21-308L
4	0.2 GPM Aerator (female thread) 0.5 GPM Aerator (female thread) 1.0 GPM Aerator (female thread) 1.5 GPM Aerator (female thread) 2.2 GPM Aerator (female thread)	22-595L 22-600L 22-608L 22-610L 22-611L
5	Faucet Body	14-546L
6	Mounting Kit	21-197

