

MODEL:

PROJECT:

ITEM #:

QTY:

Product Image



16-150 & 16-151L Shown

**16-151L Only Available in
Low Lead Compliant Model**

Standard Features

- Stainless steel outer and inner can (16-150)
- Chrome plated brass faucet (16-151L)
- Fits 6 1/2" hole
- **Low Lead Compliance**
Meets California AB-1953 and Vermont S152 standards

Specifications

- Dipperwell Height: 6 3/16"
- Spout Length: 2"
- Faucet Rough in: 1 5/16" round cutout for faucet
- Dipperwell Rough in: 6 1/2"
- 1 1/2" NPT tailpiece on dipperwell. 1/2" NPT male with 3/8" NPT nipple on faucet
- Temperature range: 40°F to 180°F
- Shipping weight: 6 1/2" lbs.



Certified to
NSF/ANSI 61-G

APPROVED BY:

CERTIFICATIONS:

Due to our commitment to continued product improvement, specifications are subject to change without notice.

Printed in the USA

Krowne Metal Corporation

100 Haul Rd. Wayne, NJ 07470 • Toll Free: (800) 631-0442 • Fax: (973) 872-1129
sales@krowne.com • www.krowne.com • www.facebook.com/KrowneMetal • www.twitter.com/KrowneMetal

Rev. 10/2015
No. 16-149

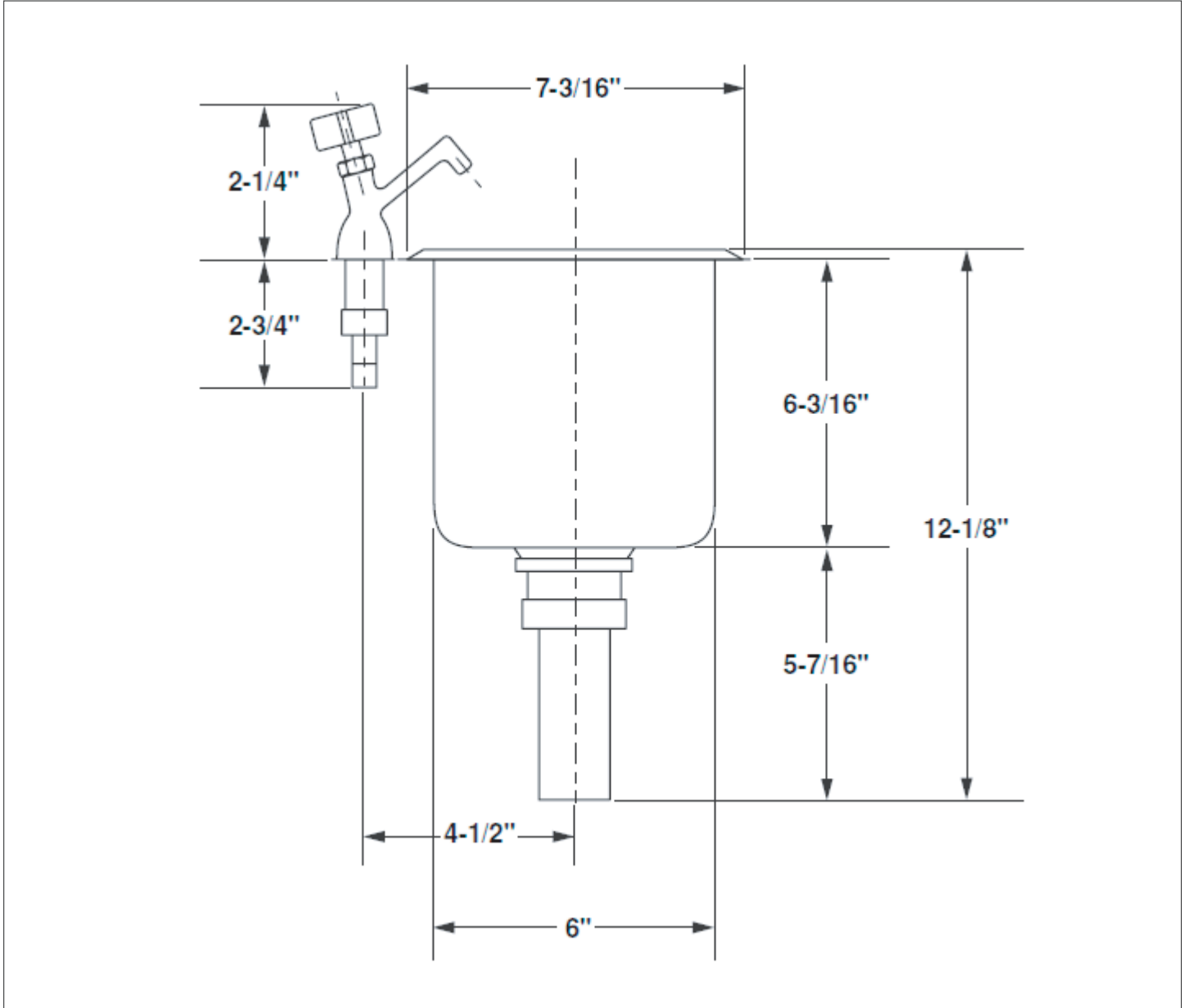
MODEL:

PROJECT:

ITEM #:

QTY:

Drawing



Certified to
NSF/ANSI 61-G

APPROVED BY:

CERTIFICATIONS:

Due to our commitment to continued product improvement, specifications are subject to change without notice.

Printed in the USA

Krowne Metal Corporation

100 Haul Rd. Wayne, NJ 07470 • Toll Free: (800) 631-0442 • Fax: (973) 872-1129
sales@krowne.com • www.krowne.com • www.facebook.com/KrowneMetal • www.twitter.com/KrowneMetal

Rev. 10/2015
No. 16-149