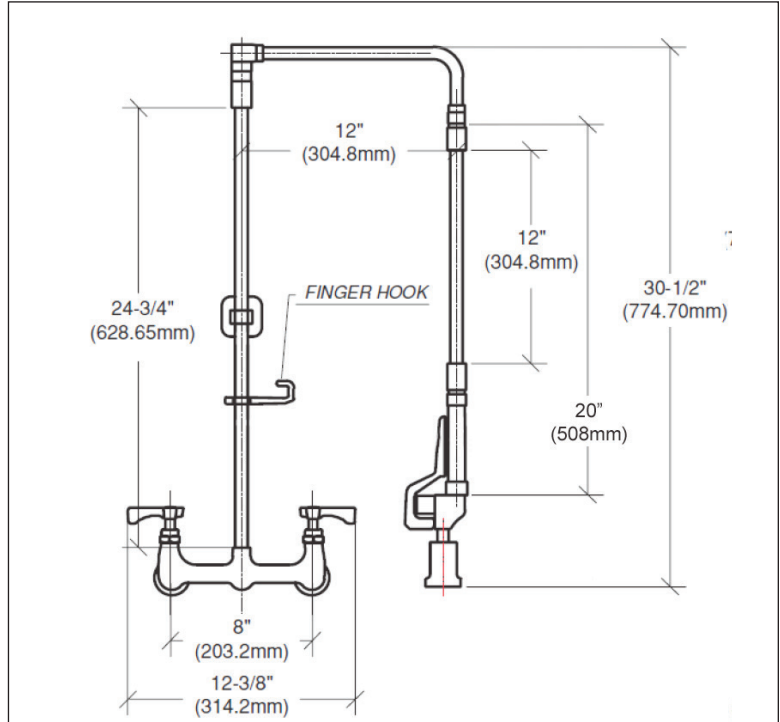




Model: **17-312WL** Item #: \_\_\_\_\_ Date: \_\_\_\_\_  
 Project: \_\_\_\_\_ Qty: \_\_\_\_\_ Approved By: \_\_\_\_\_

# 8" Center Wall Mount Pre-Rinse w/ Swing Arm

**ROYAL SERIES PLUMBING**

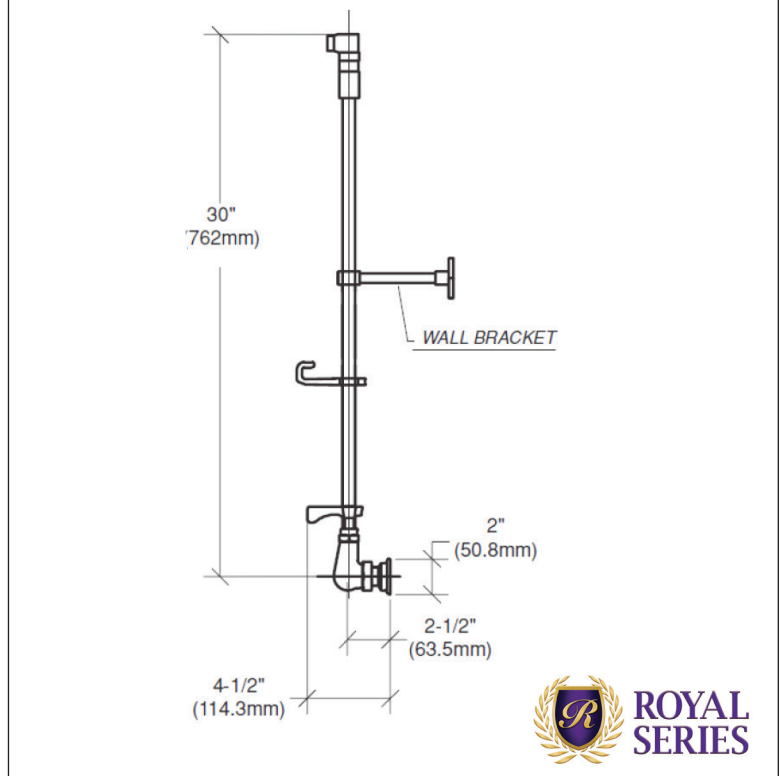


## Standard Features

- Pre-assembled to cut installation time
- Includes wall bracket with mounting hardware
- 1/4 turn ceramic cartridge valves
- 12" heavy duty stainless steel clad flexible hose (20" overall from grip to end of hose)
- Interchangeable with most brands
- Built-in back flow preventers
- Built for high volume
- Full replacement parts available

## Specifications

- 8" Center Deck Mount with 1/2" NPT female inlets
- 26" high w/ 12" solid swing arm
- 1.2 GPM spray head
- Temperature range of 40° to 180°
- Riser Pipe with Hook: 3/8" NPT x 18"
- 1.2 GPM Spray head
- Mounting Kit Included:
  - 1/2" NPT x 1-1/2" male nipples with locknuts
- Shipping Weight: 15 lbs.
- Case Quantity: 3



### Product Compliance

- NSF/ANSI 61-G
- ASME A112.18.1/CSA B125.1
- City of Los Angeles



Warning: This product can expose you to chemicals including lead and lead compounds which are known to the State of California to cause cancer and birth defects or other reproductive harm. For ore information go to [www.P065Warnings.ca.gov](http://www.P065Warnings.ca.gov).