

Model: _____ Item #: _____ Date: _____

Project: _____ Qty: _____ Approved By: _____

Model 18-408L Deck Mount Space Saver Pre-Rinse w/ 8" Add-On Faucet



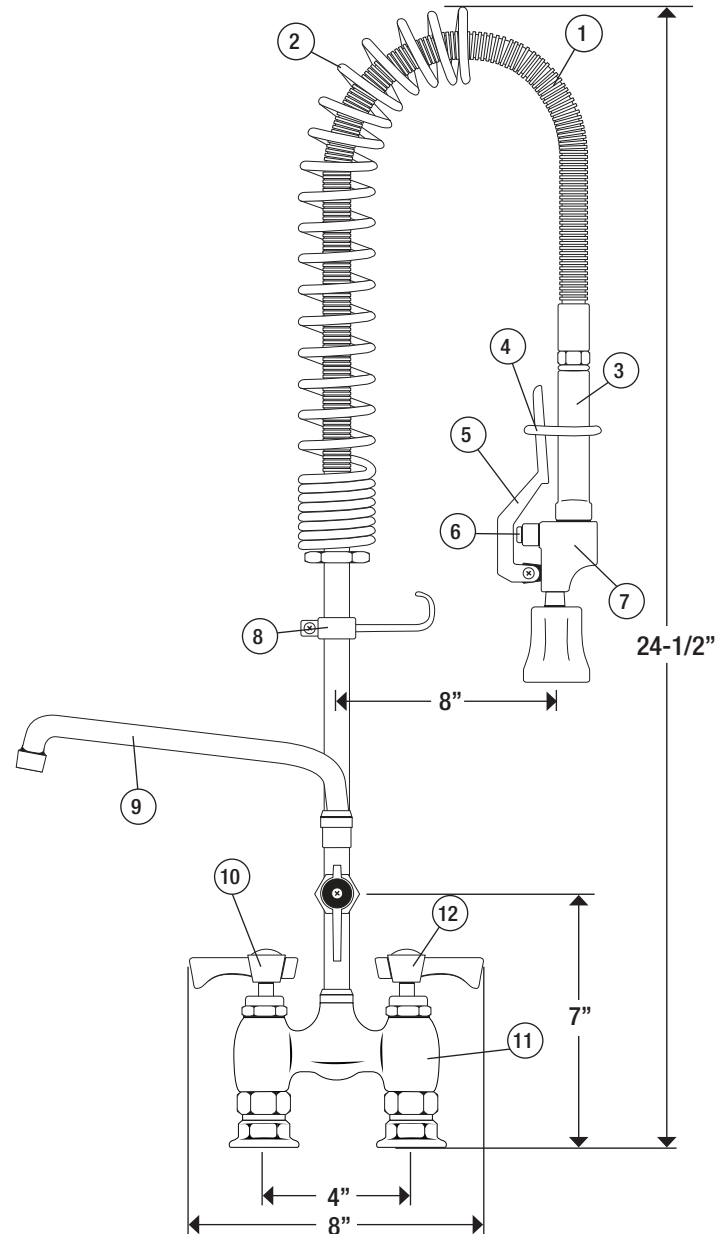
Standard Features

- Pre-assembled to cut installation time
- Interchangeable with T&S* and Encore*
- 1/4 Turn High Performance Ceramic Cartridge Valves
- 1.2 GPM Spray Head, 2.0 GPM faucet spout
- Built-In Check Valves
- Solid chrome plated brass base

Specifications

- Royal Series Space Saver Pre-Rinse Assembly
- Add-On Faucet with 8" Spout
- 4" Center
- 24-1/2" high with 8" overhang
- 24" Hose with grip
- 8" Riser
- 1/2" NPT Female Inlet
- Low Lead Compliant
- Shipping Weight: 13 lbs.
- Case Quantity: 3

*This product is not manufactured or authorized by any other manufacturer. Registered Trade Name or Mark of the original manufacturer of the product which this part fits, is not owned, associated or to be confused with our company.



Replacement Parts

| NO. | Item | Model # | NO. | Item | Model # |
|-----|--------------------|---------|-----|---------------------------------------|---------|
| 1 | Space Saver Hose | 21-181L | 7 | Complete Spray Head | 21-129L |
| 2 | Space Saver Spring | 21-163 | 8 | Hook/Screw Assembly | 21-165 |
| 3 | Grip | 21-164L | 9 | 8" Add-On Faucet | 21-149L |
| 4 | Ring | 21-170 | 10 | Deck Base | 21-204L |
| 5 | Spray Head Handle | 21-171 | 11 | 1/4 Turn Hot Ceramic Cartridge Valve | 21-309L |
| 6 | Pre-Rinse Button | 21-302L | 12 | 1/4 Turn Cold Ceramic Cartridge Valve | 21-308L |