



ROYAL SERIES PLUMBING

8" CENTER WALL MOUNT UTILITY SPRAY with ADD-ON FAUCET

MODEL: **19-112** PROJECT: _____ ITEM #: _____ QTY: _____

PRODUCT IMAGE



19-112 SHOWN

**ALSO AVAILABLE IN LOW LEAD BY
ADDING "L" TO MODEL NUMBER**

STANDARD FEATURES

- 1/4 turn high performance ceramic cartridge valves with built-in back flow preventers
- Angled spray head
- Add-on faucet with 12" spout
- Built-in vacuum breaker
- 96" heavy-duty stainless steel clad flexible hose. Tested to 400 PSI
- Plastic coated wall hook with chrome plated base
- Full replacement parts available
- 1 year warranty
- Mounting kit included (1/2" NPT x 1 1/2" male nipples with locknuts)
- **Low Lead Compliance**
"L" Models meet California AB-1953 and Vermont S152 standards

SPECIFICATIONS

- 8" center wall mount with 1/2" NPT female inlets
- Rough in: Two 7/8" round holes on 8" centers
- Temperature Range: 40°F to 180°F
- Shipping weight: 14 lbs.



CERTIFICATIONS:

APPROVED BY:

Due to our commitment to continued product improvement, specifications are subject to change without notice.

Printed in the USA

Krowne Metal Corporation

100 Haul Rd. Wayne, NJ 07470 • Toll Free: (800) 631-0442 • Fax: (973) 872-1129
sales@krowne.com • www.krowne.com • www.facebook.com/KrowneMetal • www.twitter.com/KrowneMetal

Rev. 09/2011
No. 19-112



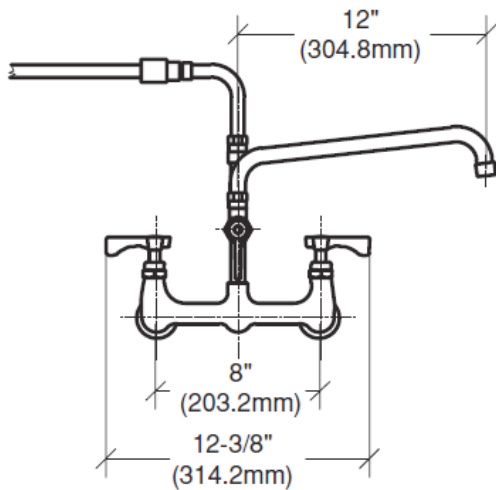
ROYAL SERIES PLUMBING

8" CENTER WALL MOUNT UTILITY SPRAY with ADD-ON FAUCET

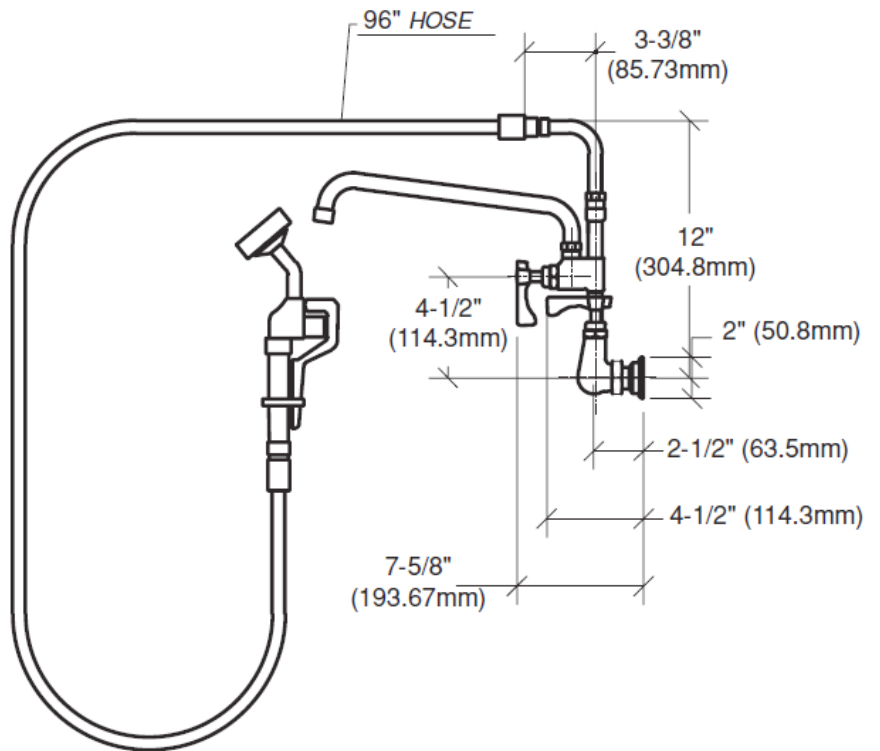
MODEL: **19-112**

PROJECT: _____ ITEM #: _____ QTY: _____

DRAWING



Front View



Side View



APPROVED BY:

Due to our commitment to continued product improvement, specifications are subject to change without notice.

CERTIFICATIONS:

Printed in the USA

Krowne Metal Corporation

100 Haul Rd. Wayne, NJ 07470 • Toll Free: (800) 631-0442 • Fax: (973) 872-1129

sales@krowne.com • www.krowne.com • www.facebook.com/KrowneMetal • www.twitter.com/KrowneMetal

Rev. 09/2011
No. 19-112