



Model: _____ Item #: _____ Date: _____

Project: _____ Qty: _____ Approved By: _____

PASS THRU ICE BIN / CHILLMASTER BEER BIN

Royal Series Underbar

Pass Thru Ice Bin

KRPT-2436-10 shown



Chillmaster Beer Bin

KR24-CB48 shown



Optional Accessories

| | |
|---------------|--|
| KR-111 | Condiment Tray for Pass Thru |
| KR-112 | Stainless Steel Large Divider for Pass Thru |
| KR-115 | Stainless Steel Divider for Beer Bin |
| KR-310 | Right End Splash for Beer Bin |
| KR-311 | Left End Splash for Beer Bin |
| KR-322 | Partial Sliding Cover for Pass Thru (Using Bottle Wells) |
| KR-323 | Full Sliding Cover for Pass Thru (No Bottle Wells) |
| KR-BR1 | Bottle Wells for Pass Thru |
| KR-401 | Cap Catcher and Bottle Opener |
| KR-501 | Towel Ring |
| KR-503 | Crossbraced Casters (30" Working Height) |

Standard Features

| | |
|--------------------------|---|
| Interior | 20 gauge stainless steel |
| Backsplash | 20 gauge stainless steel |
| Sides | 20 gauge stainless steel |
| Back & Bottom | 20 gauge stainless steel |
| Legs | 1-5/8" tubular 16 gauge stainless steel w/ grey plastic bullet foot |
| Insulation | Foamed-in-place polyurethane |
| Plumbing | Cold Plate: 1/2" IPS drain connection No Cold Plate: 1" IPS drain connection |



Conforms to NSF St. 2

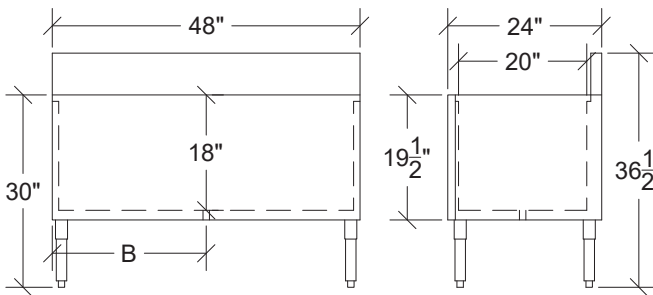
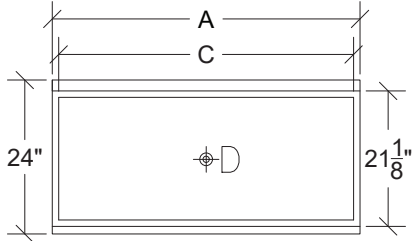


Model: _____ Item #: _____ Date: _____
 Project: _____ Qty: _____ Approved By: _____

PASS THRU ICE BIN / CHILLMASTER BEER BIN

Royal Series Underbar

KR24-CB48



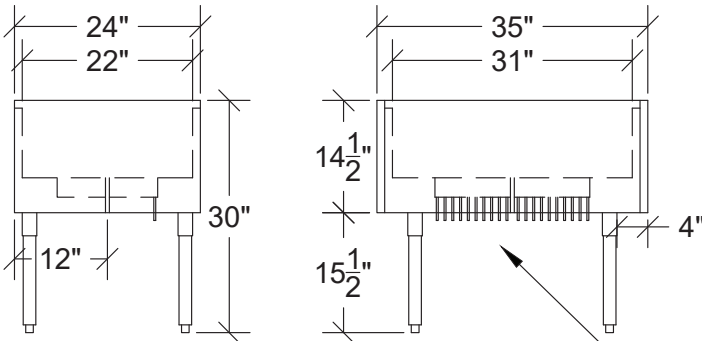
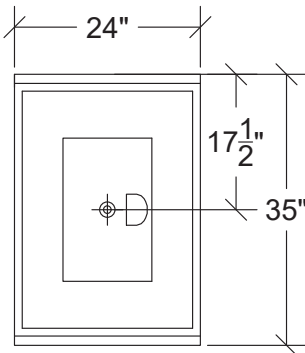
| Model Numbers | Length A | Left Side to Drain B | Inside Bin Dimensions C | Case Capacity | Weight (lbs.) |
|---------------|-------------|-------------------------|----------------------------|---------------|---------------|
| KR24-CB36 | 36" | 18" | 20" x 34" | 9 | 165 |
| KR24-CB48 | 48" | 24" | 20" x 46" | 12 | 205 |
| KR24-CB60 | 60" | 30" | 20" x 58" | 15 | 235 |

MECHANICAL REQUIREMENTS: 1" IPS drain connection



Conforms to NSF St. 2

KRPT-2436-10



| Model Numbers | Width | Depth | Overall Depth A | Leg Size B | Cold Plate Circuits | Ice Capacity (lbs.) | Weight (lbs.) |
|---------------|-------|--------|--------------------|---------------|---------------------|---------------------|---------------|
| KRPT-1836 | 1'-6" | 2'-11" | 11 1/2" | 18 1/2" | N/A | 130 | 90 |
| KRPT-1836-10 | 1'-6" | 2'-11" | 14 1/2" | 15 1/2" | 10 | 130 | 105 |
| KRPT-2436 | 2'-0" | 2'-11" | 11 1/2" | 18 1/2" | N/A | 175 | 106 |
| KRPT-2436-10 | 2'-0" | 2'-11" | 14 1/2" | 15 1/2" | 10 | 175 | 179 |

MECHANICAL REQUIREMENTS: Cold Plate: 1/2" IPS drain connection No Cold Plate: 1" IPS drain connection



Conforms to NSF St. 2