



Model: _____ Item #: _____ Date: _____

Project: _____ Qty: _____ Approved By: _____

Royal Series Four Compartment Bar Sinks

Royal Series Underbar



KR19-74C

Specifications

- Sink Bowl**
 - 20 gauge stainless steel 10" x 14" x 10" deep
 - Furnished with 1-1/2" IPS rear corner drain and 7-1/2" overflow pipe
- Drainboard**
 - 20 gauge stainless steel reinforced with welded braces every 6"
- Front Apron**
 - 20 gauge stainless steel clad over 20 gauge galvanized steel
- Sides**
 - 20 gauge stainless steel
- Backsplash**
 - 20 gauge stainless steel
- Back & Bottom**
 - 20 gauge galvanized steel
- Legs**
 - 1-5/8" tubular 16 gauge stainless steel with grey plastic bullet foot
- Plumbing**
 - Hot/Cold Water: 1/2" IPS
 - Drain: 1-1/2" IPS
- Faucet**
 - 4" OC wall or deck mount faucet and ceramic cartridge valves

Standard Features

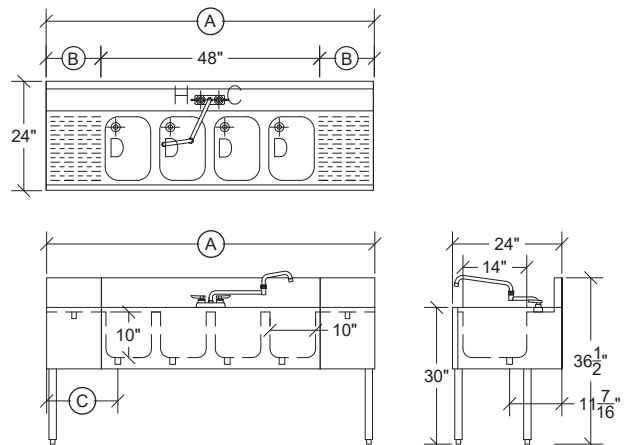
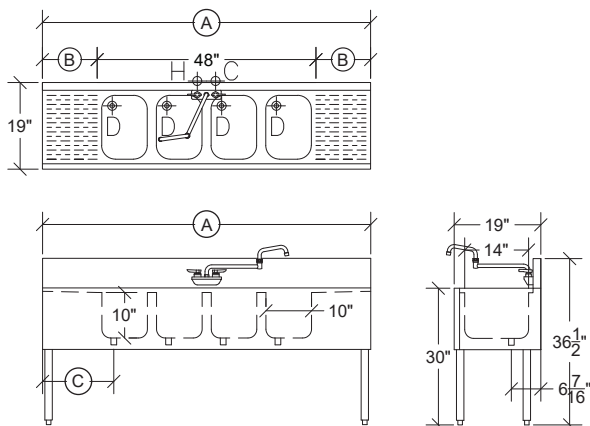
- Royal Series wall mount faucet & drains w/ overflows included
- KR19 includes a wall mount faucet
- KR24 includes deck mount faucet
- 1-1/2" left rear corner drains (Model 23-122)

WARNING: Plumbing connections should be made by qualified personnel who will observe all applicable plumbing, sanitary and safety codes.



Model	Depth (Front to Back)	Length	Drainboard Size		Left Side to Drain	Bowls	Bowl Location	Wgt. (lbs.)
			(A)	(B)				
KR19-44C	19"	48"	-	-	4"	4	Center	65
KR19-64C	19"	72"	(2) 12"	-	15"	4	Center	79
KR19-74C	19"	84"	(2) 18"	-	21"	4	Center	91
KR19-84C	19"	96"	(2) 24"	-	27"	4	Center	99

Model	Depth (Front to Back)	Length	Drainboard Size		Left Side to Drain	Bowls	Bowl Location	Wgt. (lbs.)
			(A)	(B)				
KR24-44C	24"	48"	-	-	4"	4	Center	72
KR24-64C	24"	72"	(2) 12"	-	15"	4	Center	89
KR24-74C	24"	84"	(2) 18"	-	21"	4	Center	100



NOTE: Letter at end of Model Number represents Bowl Location