

STANDARD SERIES UNDERBAR DROP-IN WATER/ICE STATIONS

MODEL: _____ PROJECT: _____ ITEM #: _____ QTY: _____

PRODUCT IMAGES



WS-1 Shown

WATER STATION

- 12-1/2" x 12-1/2" overall
- 1/2" IPS water inlet
- Push back glass filler included - 8" high from deck to spout tip
- Adjustable flow with continuous on position
- Option H-205: Upgrade Glass Filler to taller model that is 12" high from deck to spout tip

PRODUCT IMAGES



WS-2 Shown

ICE/WATER STATION

- 27" x 20" x 12" overall
- 1/2" IPS water inlet
- Push back glass filler included - 8" high from deck to spout tip
- 15-1/2" x 10-1/2" x 10" deep bin with 1" drain
- Option H-205: Upgrade Glass Filler to taller model that is 12" high from deck to spout tip

APPROVED BY:

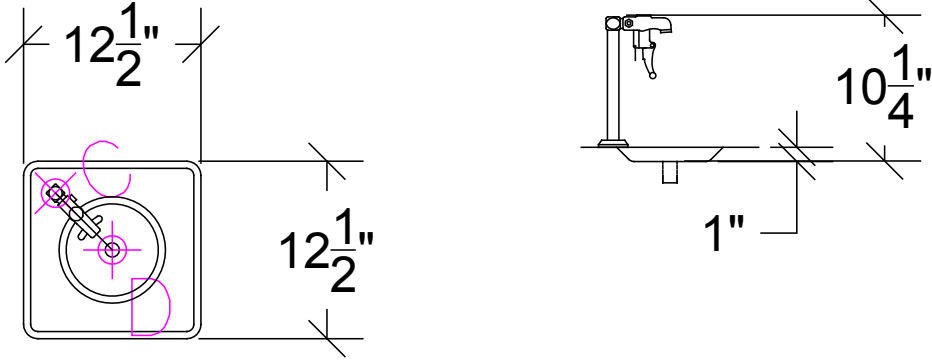
CERTIFICATIONS:

Due to our commitment to continued product improvement, specifications are subject to change without notice.

STANDARD SERIES UNDERBAR DROP-IN WATER/ICE STATIONS

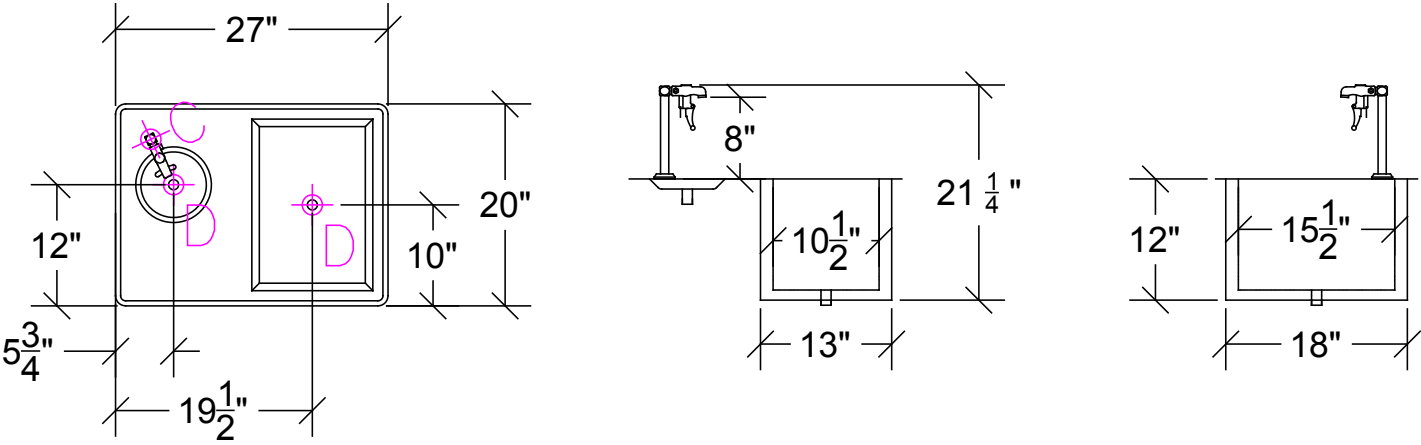
MODEL: _____ PROJECT: _____ ITEM #: _____ QTY: _____

WS-1 WATER STATION



Model Numbers	Length	Width	Overall Depth	Cutout Size	Weight (lbs.)
WS-1	12 1/2"	12 1/2"	10 1/4"	11" x 11"	5

WS-2 ICE/WATER STATION



Model Numbers	Length	Width	Liner Depth	Overall Depth	Cold Plate Circuits	Ice Capacity (lbs.)	Cutout Size	Weight (lbs.)
WS-2	27"	20"	10"	21 1/4"	N/A	50	25 1/4" x 18 1/4"	40

APPROVED BY: _____

CERTIFICATIONS:

Due to our commitment to continued product improvement, specifications are subject to change without notice.