

AVJ42-KBEP

Adjustable-Height Steel Cart with Battery-Powered Device Charger

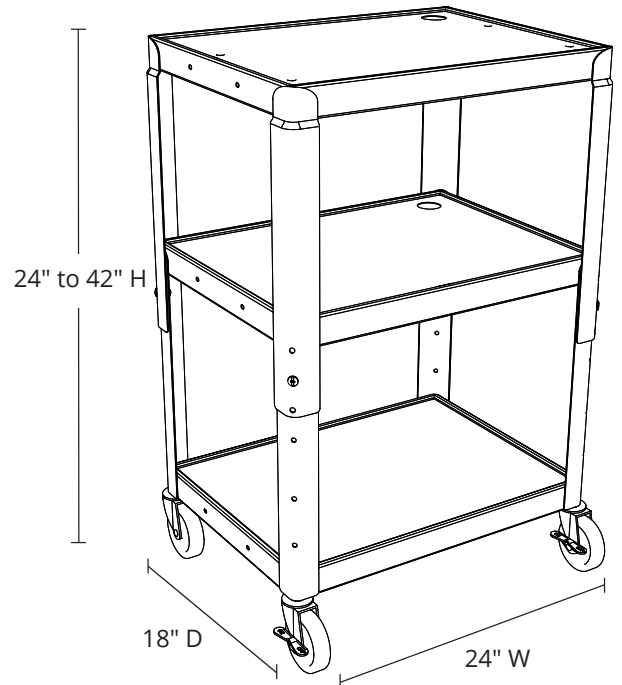
Product Specifications - Cart and Device Charger Bundle

Item Number	AVJ42-KBEP
Shipping Method	Ground
Shipping Carton Dimensions:	
Box 1: AVJ42	25" W x 22" D x 19" H
Box 2: KBEP-BRKT-M	13" W x 12" D x 4" H
Box 3: KBEP-2B1C1	21" W x 12" D x 9" H
Shipping Weight:	
Box 1: AVJ42	46 lbs.
Box 2: KBEP-BRKT-M	3 lbs.
Box 3: KBEP-2B1C1	13 lbs.

To Order, Call Your Sales Representative or 800-323-4656

Product Specifications - Adjustable-Height Steel AV Cart

Item Number	AVJ42
Material	Powder-Coated Steel
Color	Black
Cart Dimensions	24" W x 18" D x 24-42" H
Distance Between Shelves	Lower to Middle: 14.75" Middle to Top: Adjustable, 0.5" - 16"
Retaining Lip	Yes; 0.25"
Safety Mats	Yes
Grommet Holes	Two; one each on middle and top shelf
Casters (4)	4" silent roll, swivel, ball-bearing; two with locking brakes
Power	Three-outlet power strip; UL/CSA Listed
Voltage	120V/15A
Cord Length	15'
Weight Capacity	300 lbs.
Made in USA	Yes
Product Weight	40 lbs.
Assembly Required	Yes
Warranty	5-year limited warranty

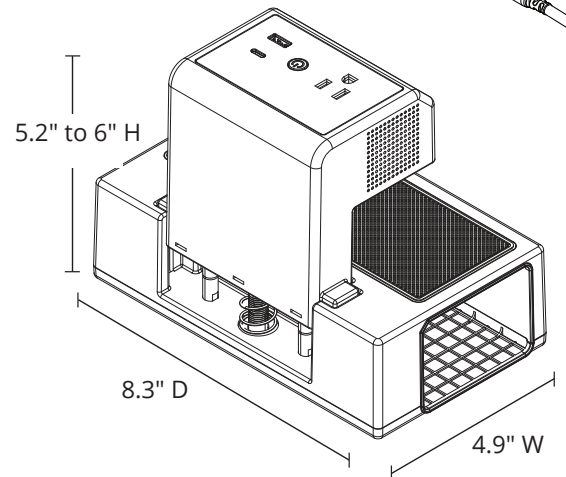
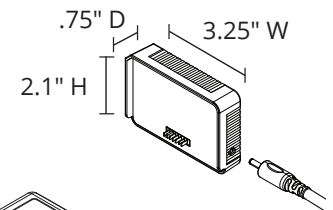
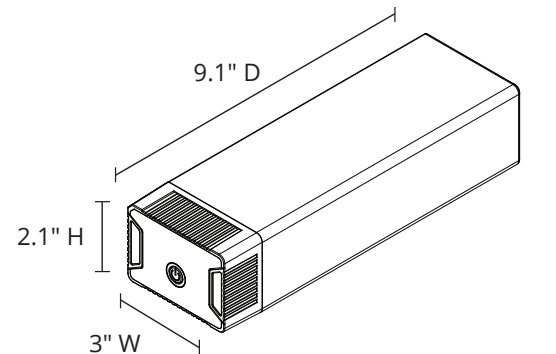


AVJ42-KBEP

Adjustable-Height Steel Cart with Battery-Powered Device Charger

Product Specifications - KwikBoost EdgePower® Desktop Charging Station System

Item Number	KBEP-2B1C1
AC Outlet Output	Output: 100V-120V, 60Hz, modified sine wave Continuous Output Power: 100W Peak Output Power: 120W (10 minutes)
USB Output	USB-A Port: 5V 2.4A (12W) - Quick Charge 3.0 Technology USB-C PD Port: 5V 2A (10W), 12V 1.5A (18W)
Single Battery Charger Input	100-240V 50/60Hz (2A)
Charging Output to Battery	25.5V 3.0A
Battery Capacity	146.52Wh (18 cells)
Cell Type	18650 Li-ion battery (2200mAh at 3.7V)
Life Cycles	500 times (higher than 80% of the initial capacity)
Shelf-Life	1 year after first charge
Battery Shipping Classifications	UN 3480
Battery Cell Recharge Time	2 hours
Desktop Charging Unit Weight	1.8 lbs.
Rechargeable Battery Weight	2.8 lbs.
Single Battery Charger Weight	1.0 lb.
Desktop Charging Unit Dimensions	8.3" D (10.3" with battery inserted) x 4.9" W x 5.2" to 6" H (based on clamp setting)
Charging Unit Clamp Height Range	0.7" to 1.5"
Rechargeable Battery Dimensions	9.1" D x 3.0" W x 2.1" H
Single Battery Charger Dimensions	0.75" D x 3.25" W x 2.25" H
Warranty	Limited one (1) year from date of shipment
Certifications	FCC, ETL
Operating Temperatures Charging	32° to 113°F (0° to 45°C); Discharge 14° to 131°F (-10° to 55°C)
Device Protection Features	Temperature, short circuit, overcharge, self-balancing algorithm
Output Protection Features	AC/USB outlet, power overflow, voltage overflow/underflow
Input Protection Features	Charging overflow, charging circuit



To Order, Call Your Sales Representative or 800-323-4656