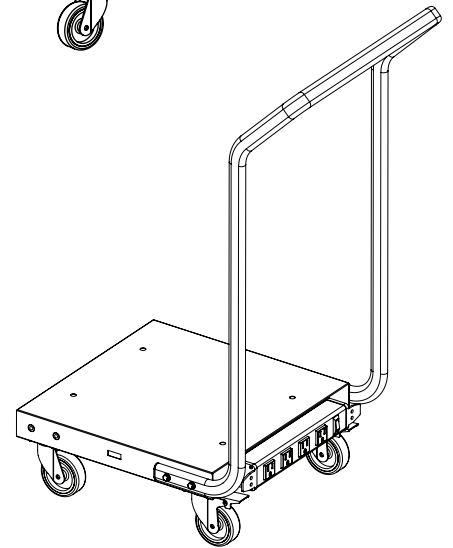
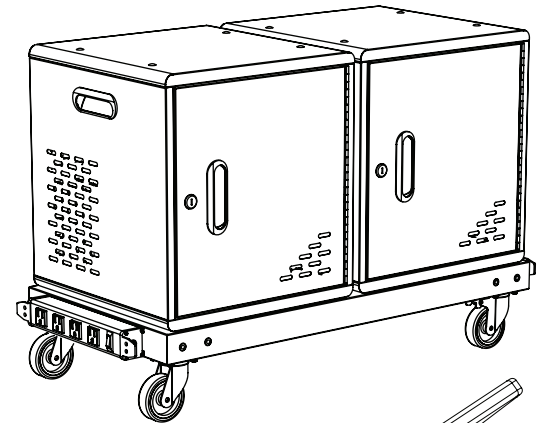


LLMC

Modular Charging System with Removable Charging Cabinets

Product Specifications

Item Number	LLMC
Material	Powder-coated steel
Dimensions, Modular Charging Cabinet	Overall: 15" W x 15" D x 16.75" H Main Compartment: 14.75" W x 14" D x 10" H Drawer: 12" W x 13" D x 3.75" H Divider Slots: 0.6" or 1.25" W x 11" D x 9" H
Dimensions, Dollies	Single Dolly: 15.5 W x 17" D x 6" H Double Dolly: 15.5 W x 34.75" D x 6" H
Dimensions, Dolly Push Handle	16.5" W x 11.5" D x 36" H
Dimensions, Cabinet Wall Mount Bracket	11.25" W x 9.5" D x 1.25" H
Dimensions, Single Dolly Connection Bracket	15.5" W x 6" D x 0.5" H
Weight	Single Dolly: 9.7 lbs. Double Dolly: 14.77 lbs. Dolly Push Handle: 4.19 lbs. Modular Charging Cabinet: 27.56 lbs. Cabinet Wall Mount Bracket: 2 lbs. Single Dolly Connection Bracket: 2.25 lbs.
Device Storage Capacity	10 per cabinet
Outlets, Cabinet	10 per cabinet (two 5-outlet power strips)
Cord Length, Cabinet	5.5'
Casters, Dolly	3"; two casters include locking brakes
Outlets, Single Dolly	4 per dolly (one 4-outlet power strip)
Outlets, Double Dolly	8 per dolly (two 4-outlet power strips)
Cord Length, Dolly	10'
Additional Features	Locking cabinet, rubber divider bumpers, ventilated sides, cord wraps
Weight Capacity, Dollies	395 lbs. (evenly distributed)
Shipping Method	Ground
Assembly Required	Yes
Certifications	UL/cUL-listed power strips



See reverse side for product matrix.

To Order, Call Your
Sales Representative or
800-323-4656

LLMC

Modular Charging System with Removable Charging Cabinets

Product Matrix

Product Description	SKU	Product Dimensions	Product Weight	Shipping Dimensions	Shipping Weight
Modular Charging Cabinet	LLMC10	15" W x 15" D x 16.75" H	27.56 lbs.	17.7" W x D 17.7" x 19.3" H	29.3 lbs
Single Dolly	LLMCSP	15.5" W x 17" D x 6" H	9.7 lbs.	17.13" W x 16.73" D x 5.31" H	11.68 lbs.
Double Dolly	LLMCDP	15.5" W x 34.75" D x 6" H	14.77 lbs.	32.68" W x 16.73" D x 5.31" H	18.08 lbs.
Single Dolly Connection Bracket	LLMCDL	15.5" W x 6" D x 0.5" H	2.25 lbs	16" W x 7" D x 2" H	4 lbs.
Dolly Push Handle	LLMCPH	16.5" W x 11.5" D x 36" H	4.25 lbs.	34.25" W x 17.51" H x 11.54" D	7.05 lbs.
Cabinet Wall Mount Bracket	LLMCWP	11.25" W x 9.5" D x 1" H	2 lbs.	12" W x 10" D x 3" H	4 lbs.

Bundle	Bundle SKU	Cabinet SKU	Dolly SKU	Handle SKU
20-Device Modular Charging Cart	LLMC20SP	LLMC10 x 2	LLMCSP x 1	N/A
30-Device Modular Charging Cart	LLMC30SP	LLMC10 x 3	LLMCSP x 1	LLMCPH x 1
40-Device Modular Charging Cart	LLMC40DP	LLMC10 x 4	LLMCDP x 1	LLMCPH x 1

To Order, Call Your Sales Representative or 800-323-4656

