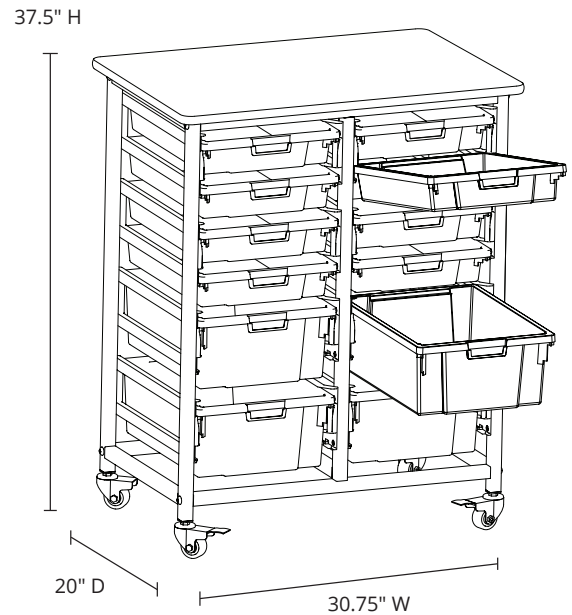


MBS-DR-8S4L-CL

Mobile Bin System - Double Row - Clear

Product Specifications

| | |
|----------------------|---|
| Item Number | MBS-DR-8S4L-CL |
| Full Dimensions | 30.75" W x 20" D x 37.5" H |
| Table Top Material | Particle board with laminate top |
| Table Top Dimensions | 30.75" W x 20" D x 0.75" H |
| Table Top Color | Light Gray |
| Frame Materials | Steel |
| Frame Color | Dark Gray |
| Bin Material | Polypropylene |
| Bin Color | Clear |
| Bin Quantity | 12 (8 Small; 4 Large) |
| Bin Dimensions | Small: 12.25" W x 16.75" D x 3" H Large: 12.25" W x 16.75" D x 6" H |
| Ticket Insert Size | Fits standard lables |
| Casters (4) | 1" casters; two casters include locking brakes |
| Weight Capacity | 20 lbs. per bin |
| Item Weight | 55.4 lbs. |
| Shipping Method | Ground |
| Shipping Carton Dims | 3 cartons; Ctn.1: 35" W x 21" D x 8" H Ctn.2: 13" W x 18" D x 13" H Ctn.3: 13" W x 18" D x 14" H |
| Shipping Weight | 74 lbs. Ctn. 1: 46 lbs. Ctn. 2: 17 lbs. Ctn. 3: 14 lbs. |
| Assembly Required | Yes |



To Order, Call Your
Sales Representative
or 800-323-4656