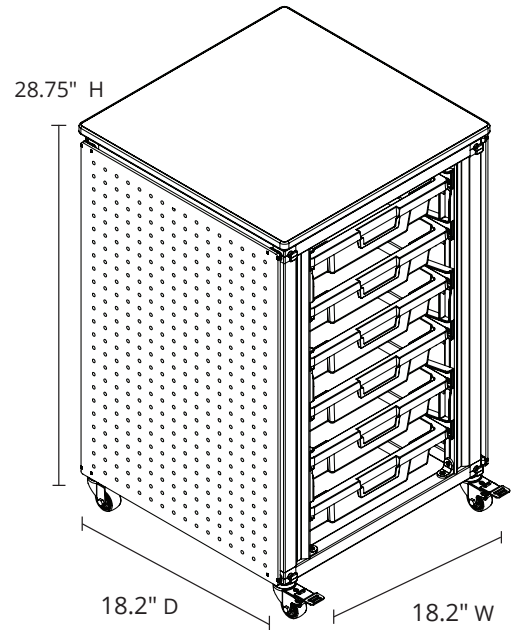


MBS-STR Modular Storage System

Product Specifications

Item Number	MBS-STR
Material	Frame: Aluminum Dry-Erase Board and Pegboard: Polycarbonate Top: MDF with melamine exterior and polypropylene edging Removable Storage Bins: Polypropylene Casters: Steel housing with polyurethane wheels
Module Dimensions	18.2" W x 18.2" D x 28.75" H (each)
Module Weight	31 lbs. (S models, each), 29 lbs. (L models, each)
Removable Bin Quantity	6 per module, 3"-deep (S models) 3 per module, 6"-deep (L models)
Removable Bin Dimensions	12.25" W x 16.75" D x 3" H (S models) 12.25" W x 16.75" D x 6" H (L models)
Pegboard	1/4" holes spaced 1" apart (center to center)
Casters	1", full-swivel, two include locking brakes (per module)
Weight Capacity	Single Module: 220 lbs. Two Stacked Modules: 220 lbs. (evenly distributed) Bins: 20 lbs. (each)
Shipping Method	Ground
Shipping Carton Dimensions (quantity of cartons depends on SKU)	Module (QTY 1 per box): 27" W x 21" D x 8" H Small Bins (QTY 6 per box): 17" W x 13" D x 18" H Large Bins (QTY 3 per box): 17" W x 16" D x 12" H
Shipping Weight (quantity of cartons depends on SKU)	Module (QTY 1 per box): 29 lbs. Small Bins (QTY 6 per box): 8 lbs. Large Bins (QTY 3 per box): 6 lbs.
Assembly Required	Yes



To Order, Call Your
Sales Representative or
800-323-4656

Product Matrix

Part #	Product Description	Modules	Connection(s)	Small Bins	Large Bins
MBS-STR-11-3L	Single module with 3 large bins	1	N/A	N/A	3
MBS-STR-11-6S	Single module with 6 small bins	1	N/A	6	N/A
MBS-STR-21-12S	2 side-by-side modules with 12 small bins	2	Horizontal	12	N/A
MBS-STR-21-6L	2 side-by-side modules with 6 large bins	2	Horizontal	N/A	6
MBS-STR-31-18S	3 side-by-side modules with 18 small bins	3	Horizontal	18	N/A
MBS-STR-31-9L	3 side-by-side modules with 9 large bins	3	Horizontal	N/A	9
MBS-STR-12-12S	2 stacked modules with 12 small bins	2	Vertical	12	N/A
MBS-STR-12-6L	2 stacked modules with 6 large bins	2	Vertical	N/A	6
MBS-STR-22-24S	4 stacked modules with 24 small bins	4	Horizontal & Vertical	24	N/A
MBS-STR-22-12L	4 stacked modules with 12 large bins	4	Horizontal & Vertical	N/A	12
MBS-BIN-8S-CL	8 small replacement bins, clear	N/A	N/A	8	N/A
MBS-BIN-4L-CL	4 large replacement bins, clear	N/A	N/A	N/A	4