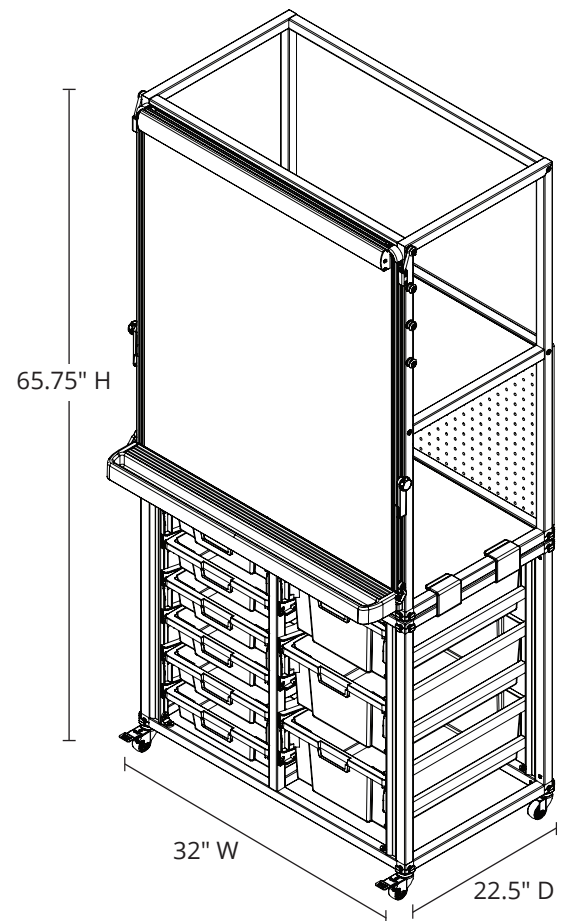


MBSRWSTN

Modular Teacher Easel with Storage

Product Specifications

Item Number	MBSRWSTN
Material	Frame: Powder-coated steel Whiteboard: Painted steel magnetic writing surface with an aluminum frame Shelves: MDF with melamine exterior Removable Storage Bins: Polypropylene Pegboard: Acrylic
Dimensions	Overall: 65.75" H x 32" W x 22.5" D Whiteboard and Marker Tray: 36" H x 32" W x 4.75" D Marker Tray: 1.5" H x 30.75" W x 4" D Whiteboard Tablets (each): 17.75" H x 11.75" W Pegboard: 19.25" H x 30.75" W Small Storage Bins: 12.25" W x 16.75" D x 3" H (each) Large Storage Bins: 12.25" W x 16.75" D x 6" H (each) Shelves: 29" W x 15.5" D
Whiteboard Height Adjustment	29.75", 25.75", 21.75", 17.75" (from floor)
Product Weight	85.5 lbs.
Removable Bin Quantity	6 x 3"-deep 3 x 6"-deep
Pegboard	1/4" holes spaced 1" apart (center to center)
Casters	1.5", full-swivel, two include locking brakes
Weight Capacity	Shelves: 132 lbs. (each) Bins: 20 lbs. (each) Pegboard: 22 lbs.
Shipping Method	Ground
Shipping Carton Dimensions	Box 1: 42.75" W x 34.75" D x 3.25" H Box 2: 39" W x 21" D x 6.5" H Box 3: 25.25" W x 20" W x 6.5" H Box 4: 17.5" W x 13" D x 2" H
Shipping Weight	Box 1: 45.4 lbs. (each) Box 2: 32.2 lbs. Box 3: 24 lbs. Box 4: 13.7 lbs.
Assembly Required	Yes



To Order, Call Your
Sales Representative or
800-323-4656