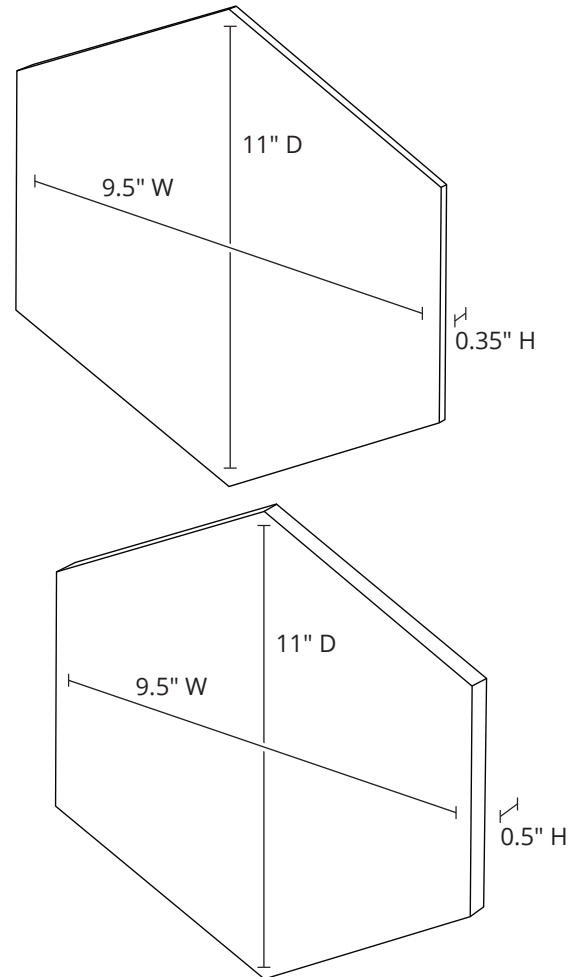


# RCLMHEX

## PET Decorative Acoustic Panels

### Product Specifications

Item Number	RCLMHEX
Materials	<b>Panels:</b> Recycled PET (50% post-consumer) <b>Adhesive Strips:</b> Two-piece hook and loop
Noise Reduction Coefficient (NRC)	0.75
Panel Dimensions (each)	<b>Thin Panel:</b> 9.5" W x 11" D x 0.35" H <b>Thick Panel:</b> 9.5" W x 11" D x 0.5" H
Product Weight	<b>12-Pack:</b> 3 lbs. <b>6-Pack:</b> 1.5 lbs.
Shipping Method	Ground
Shipping Carton Dimensions	<b>12-Pack:</b> 12" W x 11" D x 5.75" H <b>6-Pack:</b> 12" W x 10.75" D x 3.25" H
Shipping Weight	<b>12-Pack:</b> 3.5 lbs. <b>6-Pack:</b> 2 lbs.
Assembly Required	Yes
Certifications	ASTM E84 Class A, EN13501 Class B flame retardant
Warranty	5-year limited



What's In the Box:			
Part #	Thick Panels (1/2")	Thin Panels (3/8")	2-Piece Adhesive Strips
RCLMHEX001 ("Ocean Foam" Combo)	2 x Storm Blue 2 x Marbled White 2 x Graphite Gray	2 x Storm Blue 2 x Marbled White 2 x Graphite Gray	24
RCLMHEX005	3 x Light Blue	3 x Light Blue	12
RCLMHEX006	3 x Orange	3 x Orange	12
RCLMHEX051	3 x Navy Blue	3 x Navy Blue	12
RCLMHEX057	3 x Midnight Blue	3 x Midnight Blue	12
RCLMHEX092	3 x Storm Blue	3 x Storm Blue	12

To Order, Call Your Sales Representative  
or 800-323-4656