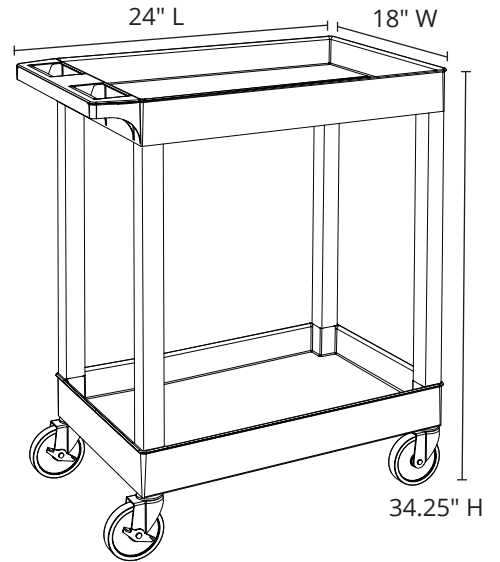


SEC11-B | SEC11-G

24" x 18" TUB CART – TWO SHELVES

Product Specifications

Item Number	SEC11-B; SEC11-G
Material	Injection Molding Thermoplastic Resin Legs: Polyvinyl Chloride (PVC) Shelves: High Density Polyethylene (HDPE)
Color Options	Black, Gray
Cart Dimensions	24" L x 18" W x 34.25" H
Product Weight	18.5 lbs.
Shelf Quantity	2
Shelf Dimensions	24" L x 18" W
Shelf Depth	2.5"
Distance Between Shelves	22.5"
Casters (4)	4" Full Swivel: Two Casters Include Locking Brakes
Weight Capacity	400 lbs.
Made in USA	Yes
Shipping Method	Freight
Shipping Carton Dimensions	28.5" L x 19" W x 10.5" H
Shipping Weight	19 lbs.
Assembly Required	Yes



To Order, Call Your
Sales Representative
or 800-323-4656