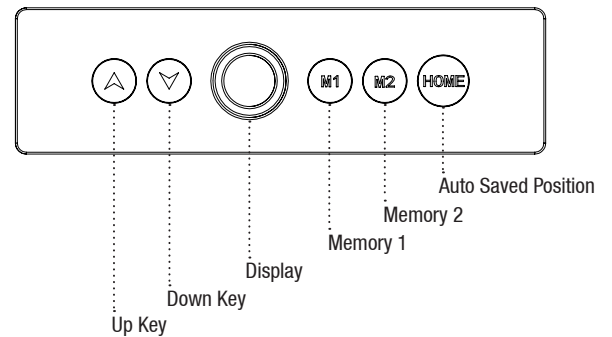
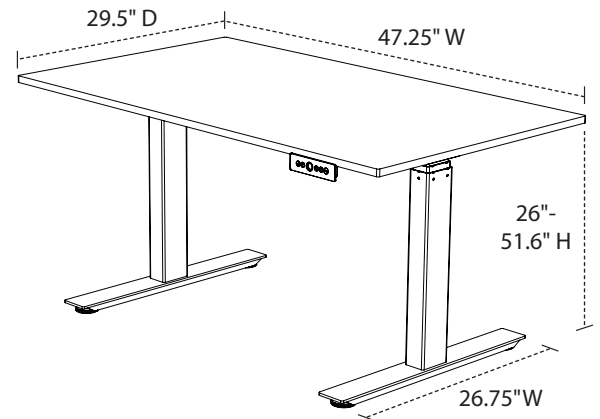


STANDE-48-BK/DW 3-STAGE DUAL MOTOR ELECTRIC STAND UP DESK

Product Specifications

Item Number	STANDE-48-BK/DW
Desktop Color	Dark Walnut
Frame Color	Black
Table Material	Melamine with PVC edge banding
Frame	Steel
Electric Type	Dual Motors
Power Cord	9'
Noise Level	40 db
Full Dimensions	47.25" W x 29.5" D x 26" – 51.6" H
Table Dimensions	47.25" W x 29.5" D x 0.75" H
Adjustable Height Range	Between 26" – 51.6" H
Speed	1.2" per second
Anti-collision Technology	Yes
Stage of Each Leg	3 Stage
Actual Weight	119 lbs.
Weight Capacity	350 lbs.
Lift Capacity	265 lbs.
Glides	Furniture glides
Ship Method	Ground Box 1 = Frame Box (42" x 11" x 13") Box 2 = Top Box (53" x 35" x 3")
Shipping Weight	Box 1 = Frame Box (90 lbs.) Box 2 = Top Box (36 lbs.)
Meets ANSI/BIFMA Standards	Yes
Power	Components are UL/CSA listed



**To Order, Call Your
Sales Representative
or 800-323-4656**