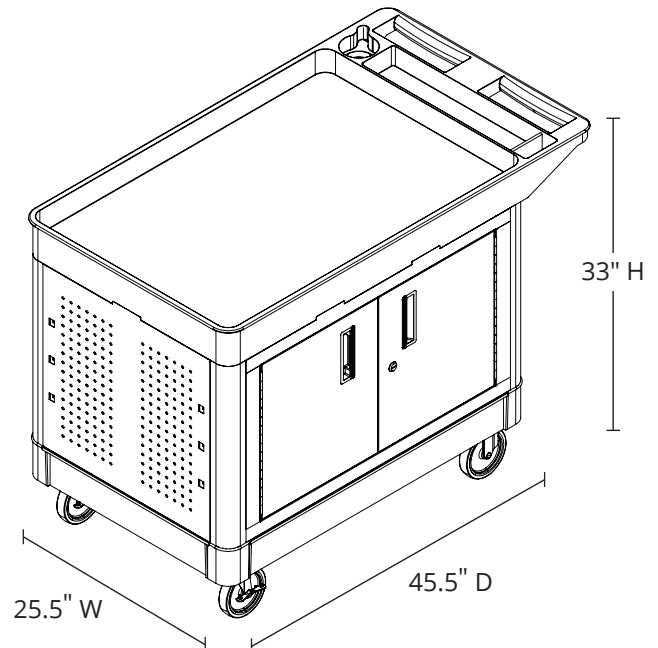


# XLC11C1

## 45.5" X 25.5" Industrial Work Cart with Locking Cabinet

### Product Specifications

Item Number	XLC11C1
Material	<b>Legs:</b> Polyvinyl chloride (PVC) <b>Shelves:</b> High-density polyethylene (HDPE) with steel reinforcements <b>Cabinet and Inner Shelf:</b> Powder-coated steel
Overall Dimensions	25.5" W x 45.5" D x 33" H
Weight	74.2 lbs.
Shelf Quantity	3
Shelf Dimensions	<b>Top and Bottom:</b> 24.5" W x 36.5" D <b>Adjustable Middle Shelf:</b> 37" W x 14" D
Shelf Depth	<b>Top and Bottom:</b> 2.5" <b>Adjustable Middle Shelf:</b> N/A
Distance Between Shelves	<b>Bottom to Top:</b> 22" <b>Bottom to Middle:</b> 8.75", 12.75", or 16.75" <b>Middle to Top:</b> 5.75", 9.75", or 13.75"
Casters	5" heavy-duty; two casters include locking brakes
Additional Features	Locking cabinet, ladder hanger, movable dual storage hooks, movable spool brackets, peg board, cup holder, small item storage trays (positioned near handle)
Pegboard	1/4" holes, spaced 1" apart
Spool Holder	<b>Distance from Bottom Shelf:</b> 9" or 13" <b>Capacity:</b> Spools up to 6.5" in diameter
Storage Hooks	Two sets of two, 3.25" D x 3.5" H, spaced 29" apart
Storage Hook Mount Holes	5/8" x 5/8" (six per side)
Cup Holder	3.5" diameter
Storage Tray Dimensions	<b>Large:</b> 4" W x 18" D x 2" H <b>Small:</b> 2" W x 4" D x 2" H
Weight Capacity	<b>Total:</b> 500 lbs. (evenly distributed) <b>Middle Shelf:</b> 55 lbs. <b>Ladder Holder:</b> 25 lbs. <b>Storage Hooks:</b> 50 lbs. <b>Spool Holder:</b> 50 lbs.
Made in USA	<b>Cart:</b> Yes <b>Cabinet and Accessories:</b> No
Shipping Method	Ground
Shipping Carton Dimensions	<b>Box 1:</b> 25" W x 45" D x 8" H <b>Box 2:</b> 40" W x 22.6" D x 6.1" H
Shipping Weight	<b>Box 1:</b> 46 lbs. <b>Box 2:</b> 43 lbs.
Assembly Required	Yes



To Order, Call Your  
Sales Representative or  
800-323-4656