

Job: _____

Item: _____

Quantity: _____

51949 - Mixing Bowl Dolly (30 Quart)

This Mixing Bowl Dolly is designed to hold an 30-quart mixing bowl at a working height in order to minimize uncomfortable working positions.

MATERIAL:

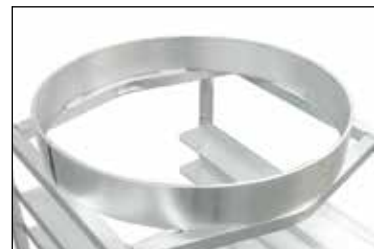
- Framework is constructed out of 1" x 1" x .070" wall tubing.
- Ring is constructed out of ¼" x 3" strap.
- Angles consist of 1¼" x 3¼" extrusions.

CASTERS:

- Equipped with four 5" stem type swivel casters.

GUARANTEE:

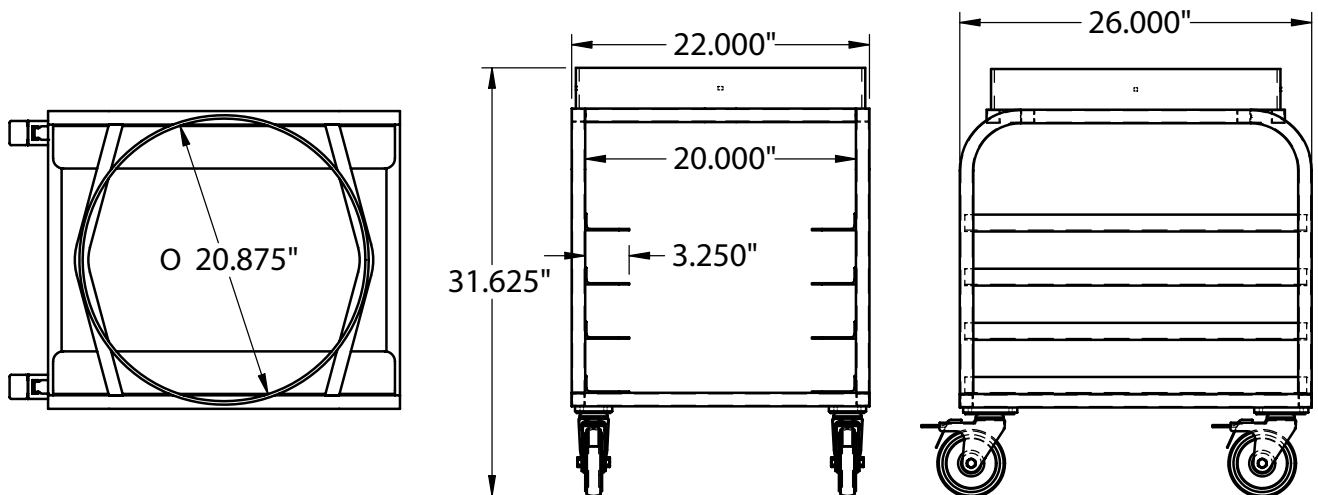
- Five-Year Guarantee against material defects and workmanship.
- Lifetime Guarantee against rust and corrosion.



Model No.	Size W-H-D	Ring Diameter	Quart Size
Mixing Bowl Dolly - NOT NSF Approved			
51949	22" x 31.625" x 26"	20.875" I.D.	30

Four 5" swivel stem type casters (#C566).

Accommodates 30QT mixing bowl, not included.



This information is for general sales and engineering use only. New Age Industrial reserves the right to modify or make changes at any time without notice to materials and specifications.



Distributed by: