

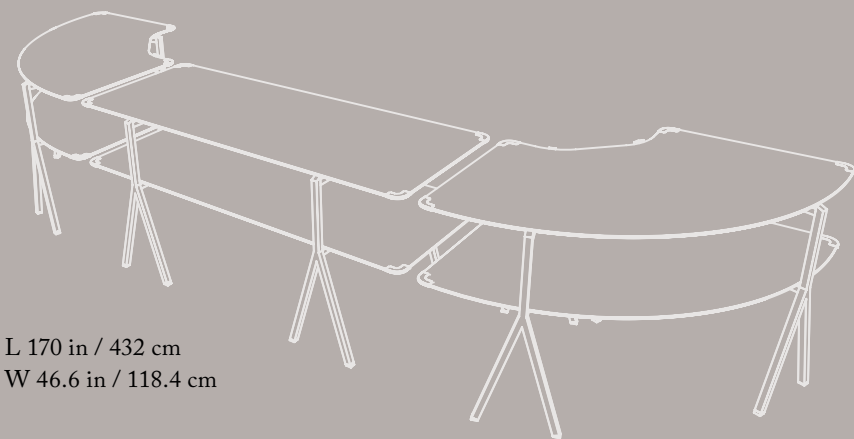
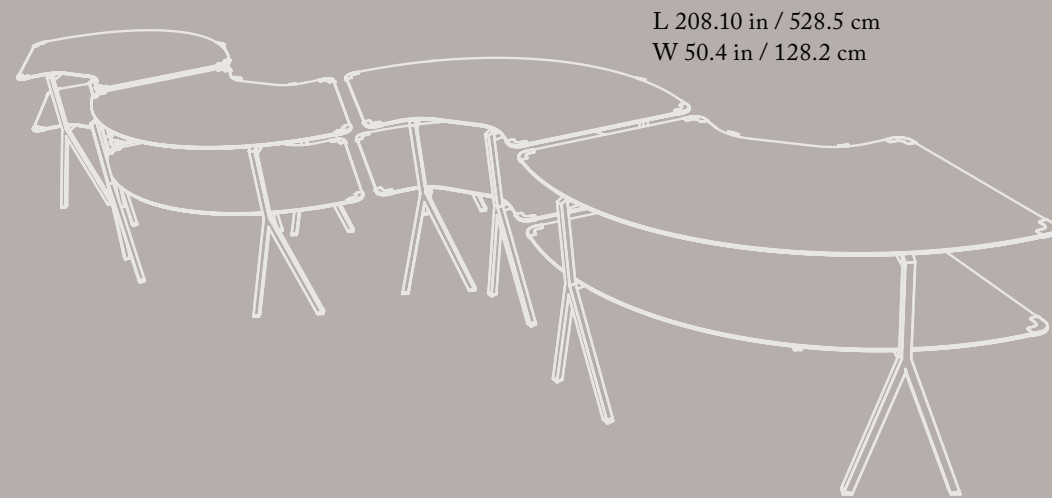
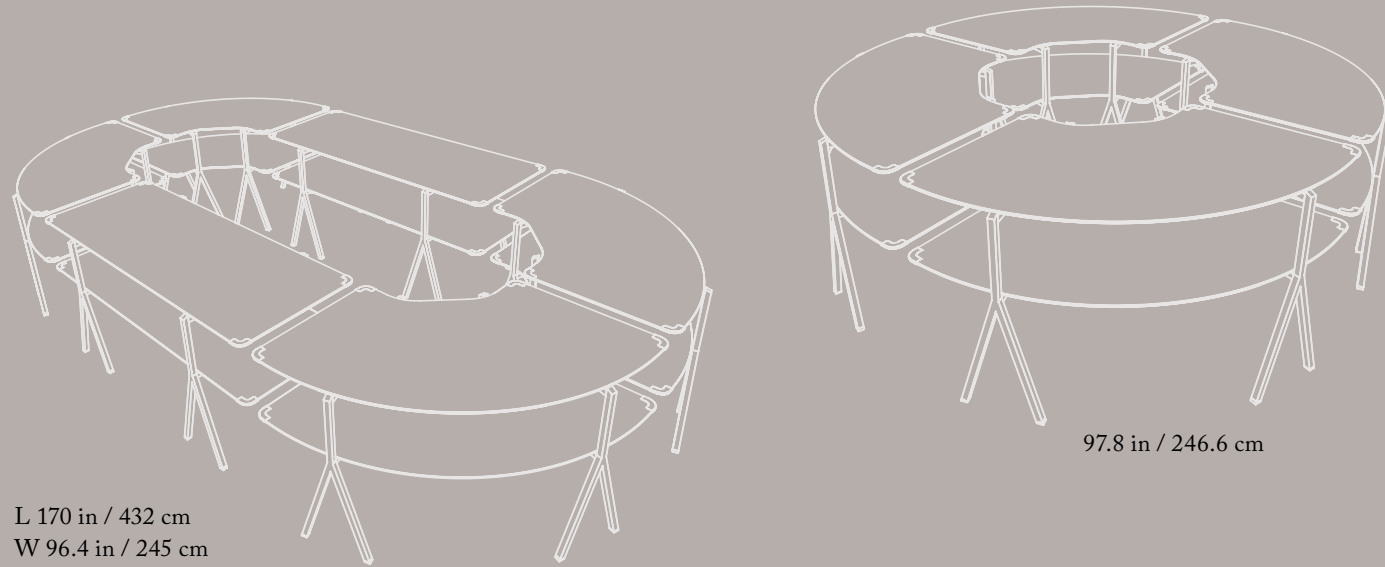
# MODULITE™

MODULAR TABLE SYSTEMS



# MODULITE™

EXPERIENCE ENDLESS CONFIGURATIONS



## Proudly introducing Modulite™

An innovative patented modular system for creating stunning food and beverage display stations.

This cutting-edge system allows you to build beautifully designed inviting displays with an emphasis on quick assembly and disassembly.

By utilizing state-of-the-art materials, Modulite™ ensures a fresh and modern look that stands the test of time.

Experience the future of F+B with Modulite™.

# MODULITE™

## MODULAR TABLE SYSTEM



Patented

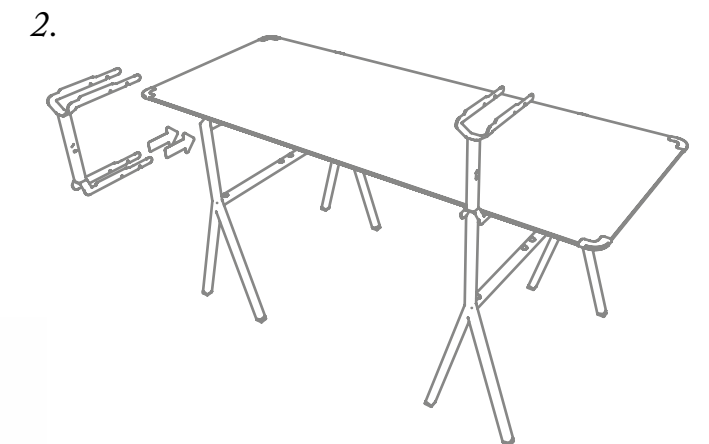
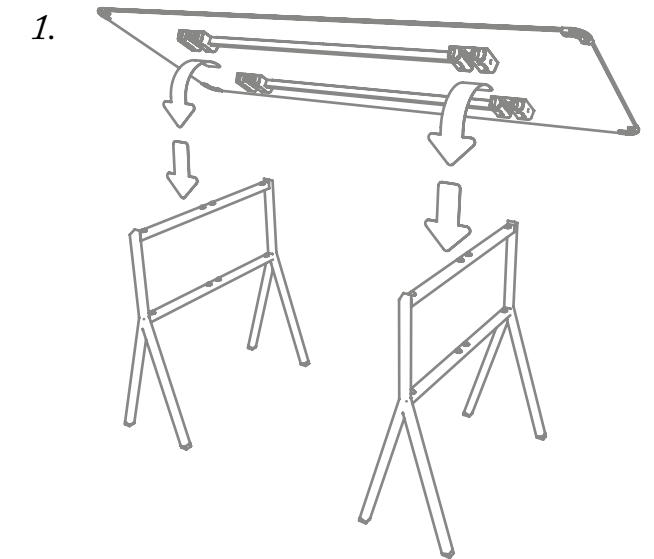
# MODULITE™

Introducing Modulite,™ our revolutionary table system designed for the hospitality and catering industry. Crafted from premium materials, our tables offer easy assembly without the need for tools. In just one minute, one person can set up our tables, saving you time and effort. With versatile accessories, transform Modulite tables into stylish action stations. Experience the future of event organization with our exceptional table system. Visit our website for more information.



## CREATE YOUR OWN STATION. IT'S AS EASY AS 1,2,3!

- *No tools required*
- *Set up & tear down your station in minutes*
- *Durable water & heat resistant surfaces*
- *Patented easy snap technology*
- *Easy one person set up*
- *Requires minimal storage space*
- *Endless configurations to meet your individual needs*



**MODULITE™ 2 LEVEL QUARTER  
ROUND TABLE TOP KITS**



**Modulte™ 2 level Kit, Walnut 2  
Qtr Round Table Top, Black Legs**  
64.5×33.5×31.8 in  
163.8×85.1×80.8 cm  
Item # MT-2005WB  
**Stainless Steel Legs**  
Item # MT-2005WS

**Modulte™ 2 level Kit, Natural Wood 2  
Qtr Round Table Top, Black Legs**  
64.5×33.5×31.8 in  
163.8×85.1×80.8 cm  
Item # MT-2006NWB  
**Stainless Steel Legs**  
Item # MT-2006NWS



**Modulte™ 2 level Kit, Concrete Gray 2 Qtr  
Round Table Top, Stainless Steel Legs**  
64.5×33.5×31.8 in  
163.8×85.1×80.8 cm  
Item # 2007CGS  
**Black Legs**  
Item # MT-2007CGB

**Modulte™ 2 level Kit, Black Marble 2  
Qtr Round Table Top, Black Legs**  
64.5×33.5×31.8 in  
163.8×85.1×80.8 cm  
Item # MT-2008BMB  
**Stainless Steel Legs**  
Item # MT-2008BMS



# MODULITE™ 3 LEVEL KITS



**Modulte™ 3 Level Kit, Walnut**  
**2 Table Top, 1 Shelf, Stainless**  
**Steel Legs**  
 71×30×43.2 in  
 180.3×76.2×109.8 cm  
**Item # MT- 3001WS**  
**Black Legs**  
**Item # MT-3001WB**



**Modulte™ 3 Level Kit, Natural Wood**  
**2 Table Top, 1 Shelf, Black Legs**  
 71×30×43.2 in  
 180.3×76.2×109.8 cm  
**Item # MT-3002NWB**  
**Stainless Steel Legs**  
**Item # MT-3002NWS**

**Modulte™ 3 Level Kit, Concrete**  
**Gray 2 Table Top, 1 Shelf,**  
**Stainless Steel Legs**  
 71×30×43.2 in  
 180.3×76.2×109.8 cm  
**Item # MT-3003CGS**  
**Black Legs**  
**Item # MT-3003CGB**



**Modulte™ 3 Level Kit, Black**  
**Marble 2 Table Top, 1 Shelf,**  
**Stainless Steel Legs**  
 71×30×43.2 in  
 180.3×76.2×109.8 cm  
**Item # MT-3004BMS**  
**Black Legs**  
**Item # MT-3004BMB**

**MODULITE™ 2 LEVEL KITS  
WITH DISPLAY FRAME**



Rosseto Modulite Tables & Carts



**Modulite™ 2 Level Kit, Natural Wood 2  
Table Top, Chalkboard, Stainless Steel  
Display Frame & Legs**  
71×30×87.3 in  
180.3×76.2×221.7 cm  
Item # MT-2002NWS  
**Black Display Frame & Legs**  
Item # MT-2002NWB



**Modulite™ 2 Level Kit, Walnut 2  
Table Top, Chalkboard,  
Black Display Frame & Legs**  
71×30×87.3 in  
180.3×76.2×221.7 cm  
Item # MT-2001WB  
**Stainless Steel Display  
Frame & Legs**  
Item # MT-2001WS



**Modulite™ 2 Level Kit, Concrete  
Gray 2 Table Top, Chalkboard,  
Black Display Frame & Legs**  
71×30×87.3 in  
180.3×76.2×221.7 cm  
Item # MT-2003CGB  
**SS Display Frame & Legs**  
Item # MT-2003CGS



**Modulite™ 2 Level Kit, Black Marble  
2 Table Top, Chalkboard, Stainless  
Steel Display Frame & Legs**  
71×30×87.3 in  
180.3×76.2×221.7 cm  
Item # MT-2004BMS  
**Black Display Frame & Legs**  
Item # MT-2004BMB

Rosseto Modulite Tables & Carts

# CREATE YOUR OWN STATION

## CHOOSE YOUR TABLE TOP FINISH



## CHOOSE YOUR FRAME FINISH



**Modulite™ Black Legs Set of 2**  
30 x 12.6 x 33.8 in  
76.2 x 32 x 85.9 cm  
Item # MT-BKLEG

**Modulite™ Stainless Steel Legs Set of 2**  
30 x 12.6 x 33.8 in  
76.2 x 32 x 85.9 cm  
Item # MT-SSLEG

## CHOOSE YOUR TABLE TOP



**Modulite™ Black Marble Rectangular HPL Table Top**  
71 x 27.5 x 0.3 in  
180.34 x 69.85 x 0.80 cm  
Item # MT-100BM



**Modulite™ Concrete Gray Rectangular HPL Table Top**  
71 x 27.5 x 0.3 in  
180.34 x 69.85 x 0.80 cm  
Item # MT-100CG



**Modulite™ Natural Wood Rectangular HPL Table Top**  
71 x 27.5 x 0.3 in  
180.34 x 69.85 x 0.80 cm  
Item # MT-100NW



**Modulite™ Walnut Rectangular HPL Table Top**  
71 x 27.5 x 0.3 in  
180.34 x 69.85 x 0.80 cm  
Item # MT-100W



**Modulite™ Natural Wood HPL Quarter Round Table Top**  
64.5 x 28 x 0.3 in  
162.56 x 71.12 x 0.80 cm  
Item # MT-300NW



**Modulite™ Walnut HPL Quarter Round Table Top**  
64.5 x 28 x 0.3 in  
162.56 x 71.12 x 0.80 cm  
Item # MT-300W



**Modulite™ Black Marble HPL Quarter Round Table Top**  
64.5 x 28 x 0.3 in  
162.56 x 71.12 x 0.80 cm  
Item # MT-300BM



**Modulite™ Concrete Gray HPL Quarter Round Table Top**  
64.5 x 28 x 0.3 in  
162.56 x 71.12 x 0.80 cm  
Item # MT-300CG



## CHOOSE YOUR SHELF



**Modulite™ Black Marble  
Rectangular HPL Table Shelf**  
59 x 13.85 x 0.3 in  
149.86 x 35.18 x 0.80 cm  
Item # MT-200BM



**Modulite™ Concrete Gray  
Rectangular HPL Table Shelf**  
59 x 13.85 x 0.3 in  
149.86 x 35.18 x 0.80 cm  
Item # MT-200CG



**Modulite™ Natural Wood  
Rectangular HPL Table Shelf**  
59 x 13.85 x 0.3 in  
149.86 x 35.18 x 0.80 cm  
Item # MT-200NW



**Modulite™ Walnut Rectangular  
HPL Table Shelf**  
59 x 13.85 x 0.3 in  
149.86 x 35.18 x 0.80 cm  
Item # MT-200W



**Modulite™ Concrete Gray  
14" Round HPL Table Top**  
14 x 14 x 0.3 in  
35.56 x 35.56 x 0.80 cm  
Item # MT-400CG



**Modulite™ Natural Wood  
14" Round HPL Table Top**  
14 x 14 x 0.3 in  
35.56 x 35.56 x 0.80 cm  
Item # MT-400NW



**Modulite™ Black Marble  
14" Round HPL Table Top**  
14 x 14 x 0.3 in  
35.56 x 35.56 x 0.80 cm  
Item # MT-400BM



**Modulite™ Walnut  
14" Round HPL Table Top**  
14 x 14 x 0.3 in  
35.56 x 35.56 x 0.80 cm  
Item # MT-400W

## CHOOSE YOUR ACCESSORIES



**Modulite™ Chalkboard Sign  
w/Black Display Frame Kit**  
58.5×9.9×56.7 in  
148.6×25.1×144.1 cm  
Item # MT-BKDFK  
w/Stainless Steel Display  
Frame Kit  
Item # MT-SSDFK



**Modulite™ Chalkboard Sign w/4.5'  
Stainless Steel Display Arm**  
10.1×2.4×56.7 in  
25.7×6.1×144.1 cm  
Item # MT-SSCBDA  
w/4.5' Black Display Arm  
Item # MT-BKCBDA



**Modulite™ Black Shelf  
Surface Bracket**  
10×3.8×12.3 in  
25.4×9.7×31.2 cm  
Item # MT-BKBRACKET  
**Modulite™ Stainless Steel  
Shelf Surface Bracket**  
Item # MT-SSBRACKET

## STORAGE AND TRANSIT



**Modulite™ Storage Cart**  
76.6×30×78.3 in  
194.5×76.2×199 cm  
Item # MT-CART



**rosseto**<sup>®</sup>  
SERVING SOLUTIONS

©Rosseto 2023, products are covered by one or more USA & International patents:  
#11350738-B2 ,11576484 and Other USA and International patents pending.

[www.rosseto.com](http://www.rosseto.com) / 847.763.1215 / [info@rosseto.com](mailto:info@rosseto.com)

© Rosseto 2023. Rosseto Serving Solutions, 3714 Jarvis Ave. Skokie, IL 60076