

3/8" SPRING LOCK
WASHERS
2 REQUIRED

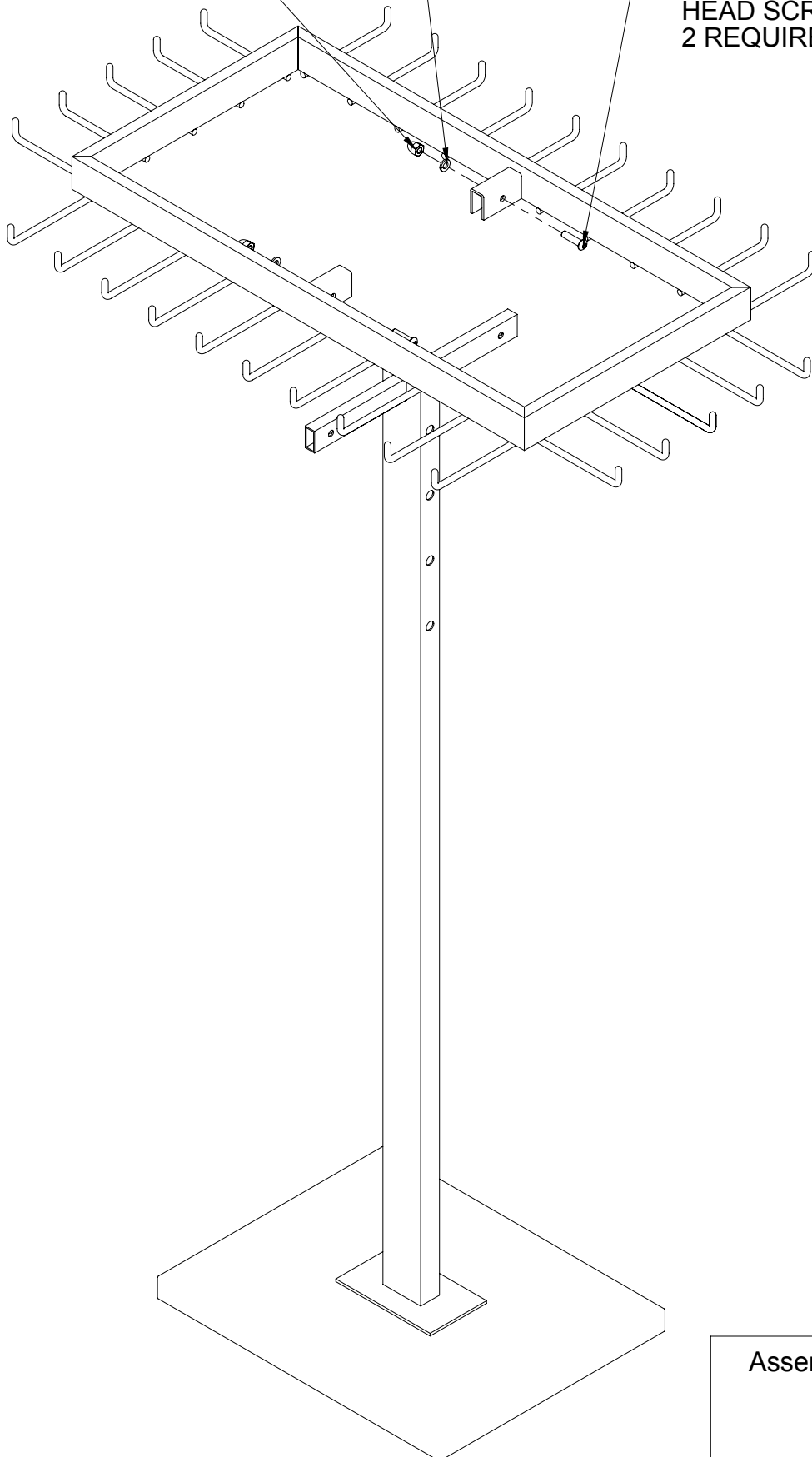
3/8"-16 X 2" LONG
SOCKET BUTTON
HEAD SCREWS
2 REQUIRED

Assembly Instructions for
Item K98

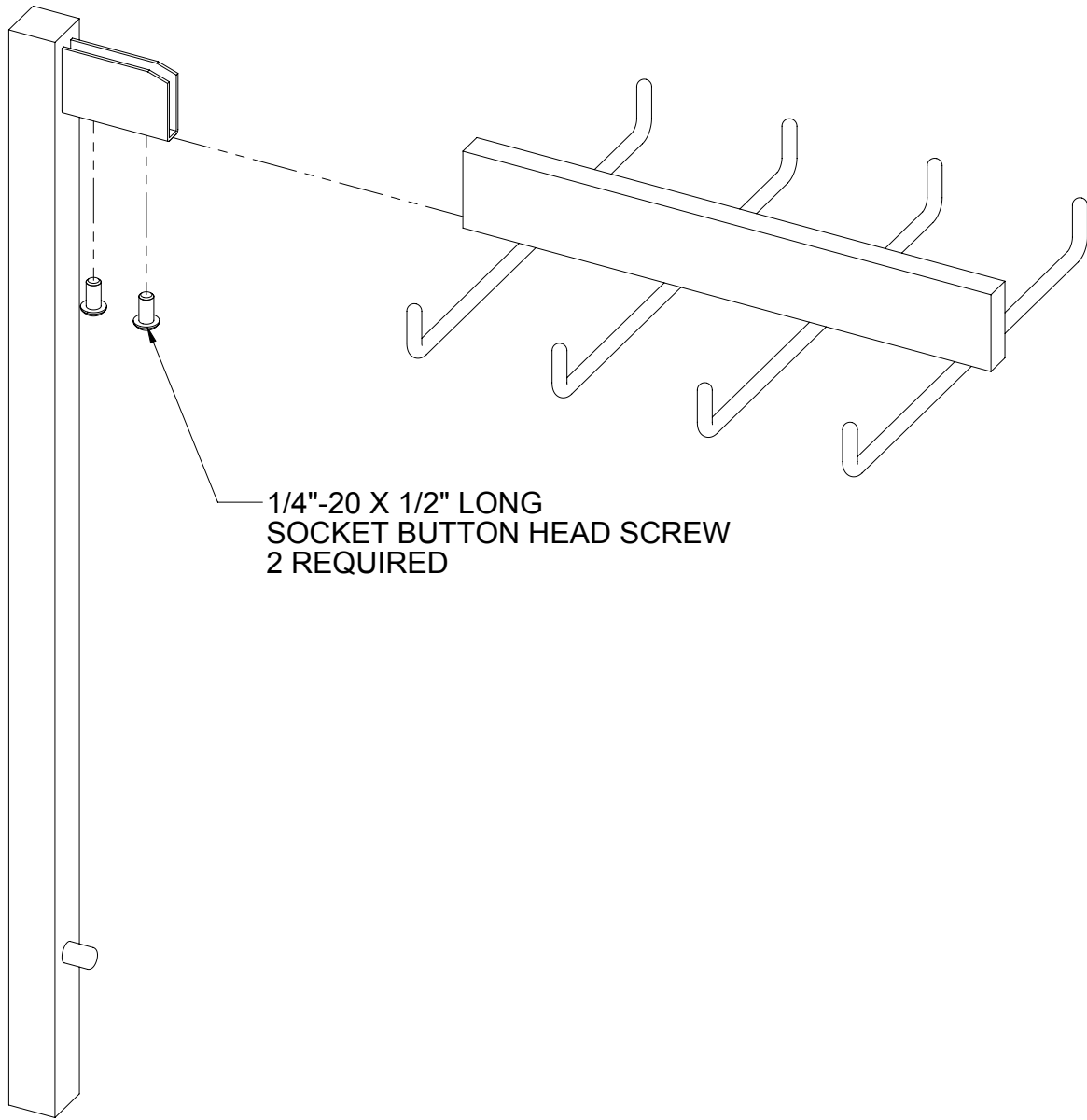
1/4"-20 ACORN NUT
2 REQUIRED

1/4" LOCK WASHER
2 REQUIRED

1/4"-20 X1" LONG
SOCKET BUTTON
HEAD SCREWS
2 REQUIRED

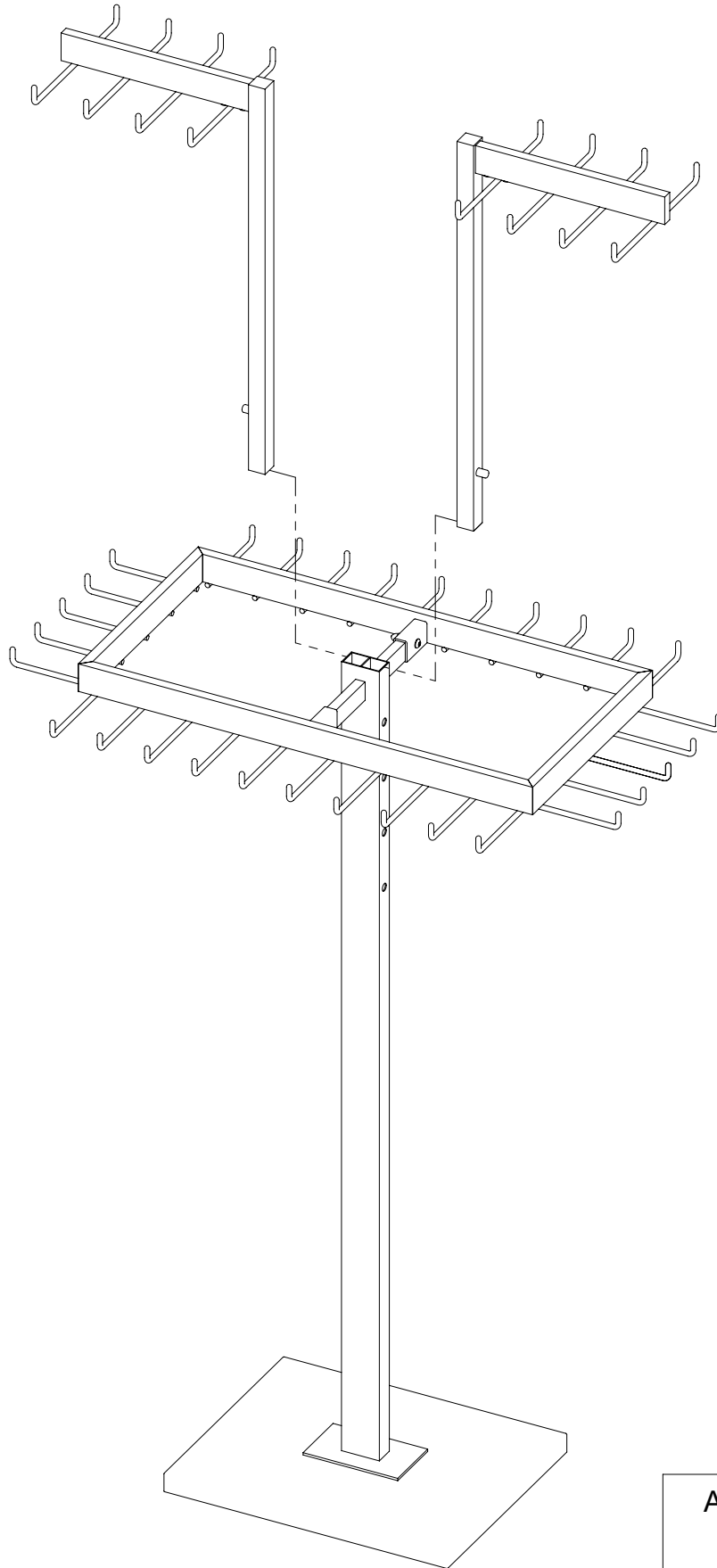


Assembly Instructions for
Item K98



1/4"-20 X 1/2" LONG
SOCKET BUTTON HEAD SCREW
2 REQUIRED

Assembly Instructions for
Item K98



Assembly Instructions for
Item K98